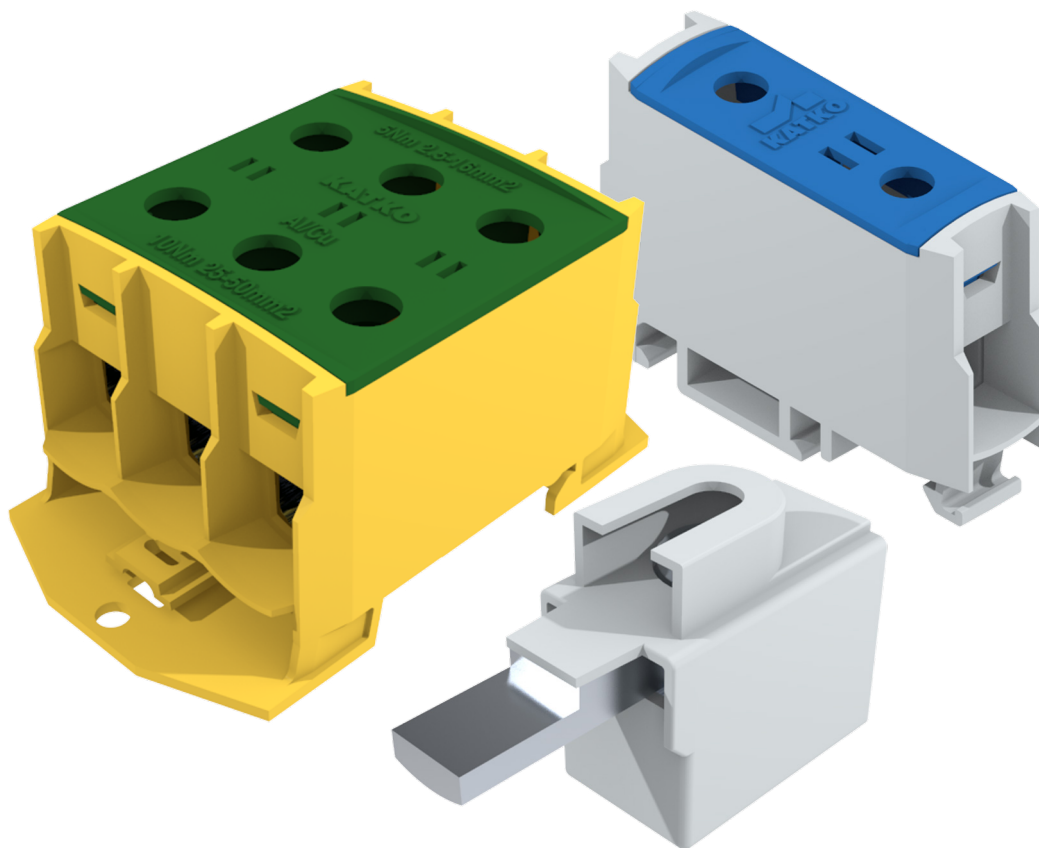




TERMINAL BLOCKS & CONNECTORS

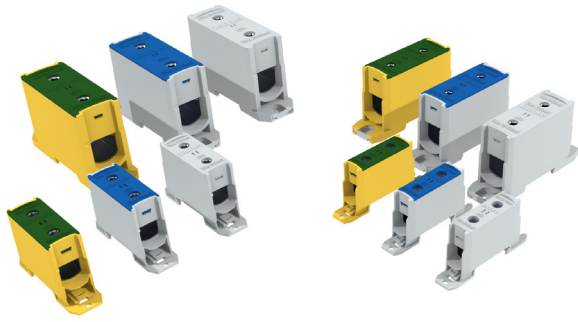
CONTENTS

KL TERMINAL BLOCKS	4
POLYCARBONATE AND STAINLESS STEEL ENCLOSED TERMINAL BLOCKS	5
FIXING ACCESSORIES	5
KKL CABLE CONNECTORS	6
KKL VERTICAL CABLE CONNECTORS	7
KLH CABLE CONNECTORS	7
SPREADERS	7
KL TERMINAL BLOCKS - UL 1059	8
KLH CABLE CONNECTORS UL 486A-486B	9
DIMENSIONAL DRAWINGS	10
KC & KL TERMINAL BLOCKS	10
ENCLOSED TERMINAL BLOCKS	13
KKL CABLE CONNECTORS	15
CABLE CONNECTORS &	20
KKL VERTICAL CABLE CONNECTORS	20
KKL VERTICAL CABLE CONNECTORS &	21
KLH CABLE CONNECTORS	21
NUMBER OF CONDUCTORS SIMULTANEOUSLY CONNECTABLE TO THE TERMINAL	22
COMPATIBILITY TABLE - KATKO SWITCHES AND CABLE CONNECTORS	24
COMPATIBILITY TABLE & DIMENSIONAL DRAWINGS OF SPREADERS	25



Extensive selection of KATKO terminal blocks and connectors suitable for both aluminium and copper cables. Easy to install directly onto a DIN rail or with screws.

KC & KL TERMINAL BLOCKS



- Certified according to IEC 61238-1 Class A
- Sale unit = 1 pc
- KL terminal blocks compatible with markers, see page 8 for example
- For Al/Cu cables: 1.5 - 300 mm²
- Available in grey, blue (N) and yellow/green (PE)
- Available as 1-pole connector (1x) and 1-pole branching connector (2x)
- 50 and 95 mm² connectors also available as 1-pole branching connector (3x) and 3-pole connector (3x1x)
- Touchproof, IP20
- Terminal material tin-coated, greased aluminium
- KL 1x16 & KC-terminals 16 - 35 mm² for DIN-rail mounting
- KL-terminals 50 - 300 mm² for DIN-rail or base mounting
- Environmentally friendly materials
- Durable laser markings
- **UL certified terminal blocks available, see UL section of this catalogue**

Type	Un (V)	In (Al) (A)	In (Cu) (A)	Al/Cu mm ²	Torque Al/Cu (Nm)	No of conductors	Key size	Mounting	EAN code 6419410...	Weight kg	Package size PCS
KC1X16									...357200		
KC1X16N	800	-	63	1.5-16*	1.8	2	PZ2	DIN	...357217	0,021	100
KC1X16PE									...357224		
KC2X16									...357507		
KC2X16N	800	-	125	1.5-16*	1.8	4	PZ2	DIN	...357514	0,047	50
KC2X16PE									...357521		
KC1X35									...357231		
KC1X35N	800	-	135	2.5-35*	2.5	2	PZ2	DIN	...357248	0,03	84
KC1X35PE									...357255		
KC2X35									...357538		
KC2X35N	800	-	270	2.5-35*	2.5	4	PZ2	DIN	...357545	0,069	42
KC2X35PE									...357552		
KL1X16									...484364		
KL1X16N	1000	75	76	1.5 - 16	5	2	Hex 4	DIN	...484371	0,022	60
KL1X16PE									...484562		
KL1X50					5 (2,5 - 16 mm ²)				...378250		
KL1X50N	1000	160	160	2.5 - 50		2	Hex 5	Screw / DIN	...378267	0,060	32
KL1X50PE					10 (25 - 50 mm ²)				...378274		
KL2X50					5 (2,5 - 16 mm ²)				...378281		
KL2X50N	1000	200	320	2.5 - 50		4	Hex 5	Screw / DIN	...378298	0,104	18
KL2X50PE					10 (25 - 50 mm ²)				...378304		
KL3X50					5 (2,5 - 16 mm ²)				...205587		
KL3X50N	1000	160	160	2.5 - 50		6	Hex 5	Screw / DIN	...205594	0,098	10
KL3X50PE					10 (25 - 50 mm ²)				...205600		
KL3X1X50					5 (2,5 - 16 mm ²)				...205617		
KL3X1X50N	1000	160	160	2.5 - 50		6	Hex 5	Screw / DIN	...205624	0,098	10
KL3X1X50PE					10 (25 - 50 mm ²)				...205631		
KL1X95					12 (16 - 50 mm ²)				...378311		
KL1X95N	1000	200	245	16 - 95		2	Hex 6	Screw / DIN	...378328	0,096	22
KL1X95PE					22 (70 - 95 mm ²)				...378335		
KL2X95					12 (16 - 50 mm ²)				...378342		
KL2X95N	1000	400	490	16 - 95		4	Hex 6	Screw / DIN	...378359	0,169	12
KL2X95PE					22 (70 - 95 mm ²)				...378366		
KL3X95					12 (16 - 50 mm ²)				...205648		
KL3X95N	1000	200	245	16 - 95		6	Hex 6	Screw / DIN	...205655	0,202	6
KL3X95PE					22 (70 - 95 mm ²)				...205662		
KL3X1X95					12 (16 - 50 mm ²)				...205679		
KL3X1X95N	1000	200	245	16 - 95		6	Hex 6	Screw / DIN	...205686	0,202	6
KL3X1X95PE					22 (70 - 95 mm ²)				...205693		
KL1X150					12 (25 - 50 mm ²)				...378373		
KL1X150N	1000	250	320	25 - 150		2	Hex 6	Screw / DIN	...378380	0,181	18
KL1X150PE					38 (120 - 150 mm ²)				...378397		
KL2X150					12 (25 - 50 mm ²)				...378403		
KL2X150N	1000	500	640	25 - 150		4	Hex 6	Screw / DIN	...378410	0,317	10
KL2X150PE					38 (120 - 150 mm ²)				...378427		
KL1X240					25 (35 - 120 mm ²)				...378434		
KL1X240N	1000	315	425	35 - 240		2	Hex 8	Screw / DIN	...378441	0,293	14
KL1X240PE					55 (150 - 240 mm ²)				...378458		
KL2X240					25 (35 - 120 mm ²)				...378465		
KL2X240N	1000	630	850	35 - 240		4	Hex 8	Screw / DIN	...378472	0,522	8
KL2X240PE					55 (150 - 240 mm ²)				...378489		
KL1X300					45 (95-120 mm ²)				...484388		
KL1X300N	1000	400	520	95 - 300		2	Hex 12	Screw / DIN	...484395	0,491	12
KL1X300PE					75 (150-300 mm ²)				...378816		
KL2X300					45 (95-120 mm ²)				...484401		
KL2X300N	1000	800	1040	95 - 300		4	Hex 12	Screw / DIN	...484418	0,901	6
KL2X300PE					75 (150-300 mm ²)				...378823		

* Cu only

POLYCARBONATE AND STAINLESS STEEL ENCLOSED TERMINAL BLOCKS



- For:
 - Cu cables 1.5 - 240 mm²
 - Al cables 2.5 - 240 mm²
- Terminal material: tin-coated aluminium
- IP66: M3, M4, RA4, RA5; IP 65: MF01, MF03, R6
- All models include:
 - L1, L2 ja L3 terminal blocks, grey (single or double)
 - N- terminal block (single or double)
 - PE -terminal block (single or double)
- Environmentally friendly materials
- Cable glands included
- Certified according to IEC 61238-1 Class A

Polycarbonate enclosures

Type	Un (V)	In (Al) (A)	In (Cu) (A)	Al/Cu mm ²	Torque Al/Cu (Nm)	No of cables	Key size	Enclosure	Cable glands	EAN code 6419410...	Weight kg
KLM2X16	800	-	125	1.5-16 (Cu)	1.8	4	PZ2	M3	M32 x4	...391815	0,8
KLM1X50	1000	160	160	2.5 - 50	5 (2.5 - 16 mm ²) / 10 (25 - 50 mm ²)	2	Hex 5	M4	M40 x2	...391846	1,1
KLM2X50	1000	200	320	2.5 - 50	5 (2.5 - 16 mm ²) / 10 (25 - 50 mm ²)	4	Hex 5	M4	M40 x4	...391853	1,3
KLM1X95	1000	200	245	16 - 95	12 (16 - 50 mm ²) / 22 (70 - 95 mm ²)	2	Hex 6	MF01	M63 x2	...391860	2,3
KLM2X95	1000	400	490	16 - 95	12 (16 - 50 mm ²) / 22 (70 - 95 mm ²)	4	Hex 6	MF01	M63 x4	...391877	3,0
KLM2X150	1000	500	640	25 - 150	12 (25 - 50 mm ²) / 22 (70 - 95 mm ²) / 38 (120 - 150 mm ²)	4	Hex 6	MF03	EPA 2260 x2	...391891	5,0

Stainless steel enclosures, AISI 316

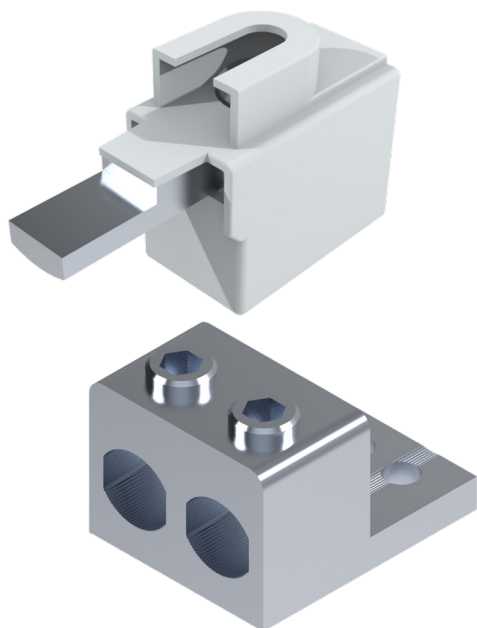
Type	Un (V)	In (Al) (A)	In (Cu) (A)	Al/Cu mm ²	Torque Al/Cu (Nm)	No of cables	Key size	Enclosure	Cable glands	EAN code 6419410...	Weight kg
KLR2X16	800	-	125	1.5-16 (Cu)	1.8	4	PZ2	RA4	M32 x4	...391938	2,4
KLR1X50	1000	160	160	2.5 - 50	5 (2.5 - 16 mm ²) / 10 (25 - 50 mm ²)	2	Hex 5	RA4	M40 x2	...391969	2,6
KLR2X50	1000	200	320	2.5 - 50	5 (2.5 - 16 mm ²) / 10 (25 - 50 mm ²)	4	Hex 5	RA5	M40 x4	...391976	6,2
KLR1X95	1000	200	245	16 - 95	12 (16 - 50 mm ²) / 22 (70 - 95 mm ²)	2	Hex 6	RA5	M63 x2	...391983	6,0
KLR2X95	1000	400	490	16 - 95	12 (16 - 50 mm ²) / 22 (70 - 95 mm ²)	4	Hex 6	RA5	M63 x4	...391990	6,8
KLR2X150	1000	500	640	25 - 150	12 (25 - 50 mm ²) / 22 (70 - 95 mm ²) / 38 (120 - 150 mm ²)	4	Hex 6	R6	EPA 2260 x2	...392010	15,5

FIXING ACCESSORIES

- For bolt mountable KKL connectors
- One package for 3- or 4-pole switches contains all necessary bolts, nuts and washers

Type	Description	For	EAN code 6419410...
M12PP3P	Fixing bolts for connectors	M12, 3 pole	...288368
M10PP3P	Fixing bolts for connectors	M10, 3 pole	...288351
M8PP3P	Fixing bolts for connectors	M8, 3 pole	...288344
M8PP4P	Fixing bolts for connectors	M8, 4 pole	...287804
M10PP4P	Fixing bolts for connectors	M10, 4 pole	...287811
M12PP4P	Fixing bolts for connectors	M12, 4 pole	...287828

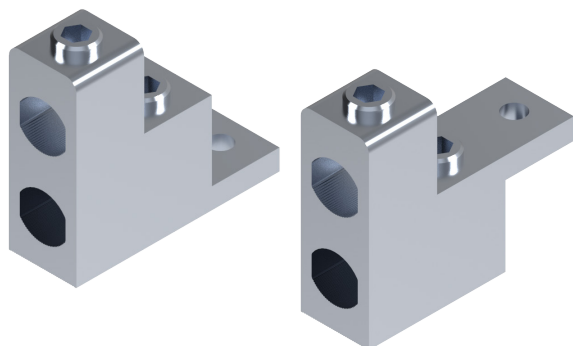
KKL CABLE CONNECTORS



- For 1.5-300 mm² Al/Cu cables
- Material: tin-coated aluminium
- Certified according to IEC 61238-1 Class A
- Environmentally friendly materials
- Sale unit = 1 pc

Type	Un (V)	In (Al) (A)	In (Cu) (A)	Al mm ²	Cu mm ²	Torque Al/Cu (Nm)	Number of conductors	Allen key size	Mounting	EAN code 6419410...	Weight kg	Package size PCS
KKL1X16	690	63	63	1,5-16	1,5-16	2,2 (1,5-16mm ²)	1	Hex 3	Direct	...378496	0,01	30
KKL1X50T1	690	125	125	16-50	2,5-50	5 (2,5-16mm ²) / 10 (25-50mm ²)	1	Hex 5	Direct	...378717	0,019	12
KKL1X50T2	690	125	125	16-50	2,5-50	5 (2,5-16mm ²) / 10 (25-50mm ²)	1	Hex 5	Direct	...378502	0,019	12
KKL1X50T3	690	125	125	16-50	2,5-50	5 (2,5-16mm ²) / 10 (25-50mm ²)	1	Hex 5	Direct	...378724	0,019	12
KKL1X50M	690	125	125	16-50	2,5-50	5 (2,5-16mm ²) / 10 (25-50mm ²)	1	Hex 5	Direct	...378519	0,017	12
KKL1X50N	690	125	125	16-50	2,5-50	5 (2,5-16mm ²) / 10 (25-50mm ²)	1	Hex 5	Direct	...378670	0,014	25
KKL1X50	690	160	160	16-50	2,5-50	5 (2,5-16mm ²) / 10 (25-50mm ²)	1	Hex 5	Bolt	...378571	0,011	25
KKL2X50	690	200	320	16-50	16-50	5 (2,5-16mm ²) / 10 (25-50mm ²)	2	Hex 5	Bolt M8	...378588	0,023	12
KKL2X50M	690	200	320	16-50	16-50	5 (2,5-16mm ²) / 10 (25-50mm ²)	2	Hex 5	Bolt M8	...378663	0,023	12
KKL1X95	690	200	245	25-95	25-95	12 (16-50 mm ²) / 22 (70-95 mm ²)	1	Hex 6	Bolt M10	... 200230	0,03	48
KKL1X95M	690	200	245	25-95	25-95	12 (16-50 mm ²) / 22 (70-95 mm ²)	1	Hex 6	Bolt M8	...378953	0,03	48
KKL2X95	690	400	490	25-95	25-95	12 (16-50 mm ²) / 22 (70-95 mm ²)	2	Hex 6	Bolt M10	...378601	0,061	48
KKL2X95LR	690	400	490	25-95	25-95	12 (16-50 mm ²) / 22 (70-95 mm ²)	2	Hex 6	Bolt M10	...205853	0,061	48
KKL1X120T1	690	200	245	16-120	16-120	12 (16-50 mm ²) / 22 (70-120 mm ²)	1	Hex 6	Direct	...378526	0,037	20
KKL1X120T2	690	200	245	16-120	16-120	12 (16-50 mm ²) / 22 (70-120 mm ²)	1	Hex 6	Direct	...378533	0,037	20
KKL1X120T3	690	200	245	16-120	16-120	12 (16-50 mm ²) / 22 (70-120 mm ²)	1	Hex 6	Direct	...378540	0,037	20
KKL1X120T	690	200	245	16-120	16-120	12 (16-50 mm ²) / 22 (70-120 mm ²)	1	Hex 6	Direct	...378700	0,037	20
KKL1X120TM	690	200	245	16-120	16-120	12 (16-50 mm ²) / 22 (70-120 mm ²)	1	Hex 6	Direct	...378557	0,037	20
KKL1X120RS	690	200	245	16-120	16-120	12 (16-50 mm ²) / 22 (70-120 mm ²)	1	Hex 6	Bolt M8	...378687	0,044	20
KKL1X120RSY	690	200	245	16-120	16-120	12 (16-50 mm ²) / 22 (70-120 mm ²)	1	Hex 6	Bolt M8	...378694	0,044	20
KKL1X150	690	250	320	25-150	25-150	12 (25-50 mm ²) / 22 (70-95 mm ²) / 38 (120-150 mm ²)	1	Hex 6	Bolt M10	...378618	0,073	20
KKL1X150T2	690	250	320	25-150	25-150	12 (25-50 mm ²) / 22 (70-95 mm ²) / 38 (120-150 mm ²)	1	Hex 6	Direct	...378748	0,073	20
KKL2X150	690	500	640	25-150	25-150	12 (25-50 mm ²) / 22 (70-95 mm ²) / 38 (120-150 mm ²)	2	Hex 6	Bolt M12	...378625	0,15	20
KKL2X150LR	690	500	640	25-150	25-150	12 (25-50 mm ²) / 22 (70-95 mm ²) / 38 (120-150 mm ²)	2	Hex 6	Bolt M12	...300459	0,15	20
KKL1X240	690	315	425	35-240	35-240	25 (35-120 mm ²) / 55 (150-240 mm ²)	1	Hex 8	Bolt M12	...378632	0,113	16
KKL1X240M8	690	315	425	35-240	35-240	25 (35-120 mm ²) / 55 (150-240 mm ²)	1	Hex 8	Bolt M8	...229149	0,113	16
KKL2X240	690	630	850	35-240	35-240	25 (35-120 mm ²) / 55 (150-240 mm ²)	2	Hex 8	Bolt M12	...378649	0,245	16
KKL1X240TM	690	400	425	35-240	35-240	25 (35-120 mm ²) / 40 (150-240 mm ²)	1	Hex 8	Bolt M8	...378656	0,113	20
KKL1X240TE	690	400	400	35-240	35-240	25 (35-120 mm ²) / 40 (150-240 mm ²)	1	Hex 8	Bolt M8	...378731	0,113	20
KKL2X240LR	690	630	850	35-240	35-240	25 (35-120 mm ²) / 55 (150-240 mm ²)	2	Hex 8	Bolt M12	...378755	0,245	16
KKL1X300	690	400	520	95-300	95-300	45 (95-120 mm ²) / 75 (150-300 mm ²)	1	Hex 12	Bolt M12	...484289	0,262	10
KKL2X300	690	800	1040	95-300	95-300	45 (95-120 mm ²) / 75 (150-300 mm ²)	2	Hex 12	Bolt M12	...484296	0,501	3

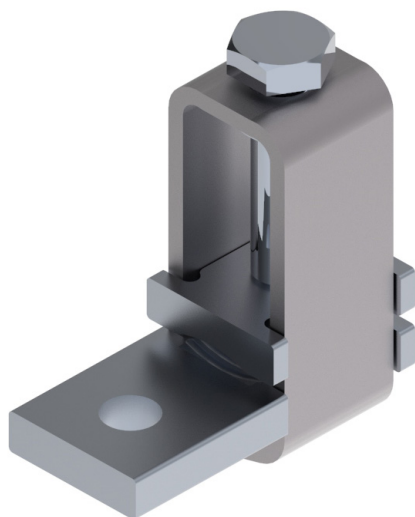
KKL VERTICAL CABLE CONNECTORS



- For 25-300 mm² Al/Cu cables
- Blade middle (VM) and blade bottom (VB) models
- Material: tin-coated aluminium
- Environmentally friendly materials
- Certified according to IEC 61238-1 Class A
- Sale unit = 1 pc

Type	Un (V)	In (Al) (A)	In (Cu) (A)	Al mm ²	Cu mm ²	Torque Al/Cu (Nm)	Number of conductors	Allen key size	Mounting	EAN code 6419410...	Weight kg	Package size PCS
KKL2X150VB	690	500	640	25-150	25-150	12 (25-50 mm ²) / 22 (70-95 mm ²) / 38 (120-150 mm ²)	2	Hex 6	Bolt M12	...484319	0,18	3
KKL2X150VM	690	500	640	25-150	25-150	12 (25-50 mm ²) / 22 (70-95 mm ²) / 38 (120-150 mm ²)	2	Hex 6	Bolt M12	...484302	0,18	3
KKL2X240VB	690	630	850	35-240	35-240	25 (35-120 mm ²) / 40 (150-240 mm ²)	2	Hex 8	Bolt M12	...484333	0,339	3
KKL2X240VM	690	630	850	35-240	35-240	25 (35-120 mm ²) / 40 (150-240 mm ²)	2	Hex 8	Bolt M12	...484326	0,339	3
KKL2X300VB	690	800	1040	95-300	95-300	45 (95-120 mm ²) / 75 (150-300 mm ²)	2	Hex 12	Bolt M12	...484357	0,572	3
KKL2X300VM	690	800	1040	95-300	95-300	45 (95-120 mm ²) / 75 (150-300 mm ²)	2	Hex 12	Bolt M12	...484340	0,572	3

KLH CABLE CONNECTORS



- Connector with an intermediate part for applying pressure to the conductor
- Suitable for 2 x 50-300 mm² Al/Cu cables
- Narrow profile when installed vertically
- Suitable for various cable types (for example fine stranded and solid)
- Material:
 - Frame: stainless steel
 - Connection bar: tin-plated copper
- Sale unit = 1 pc
- **UL certified cable connectors available, see UL section of this catalogue**

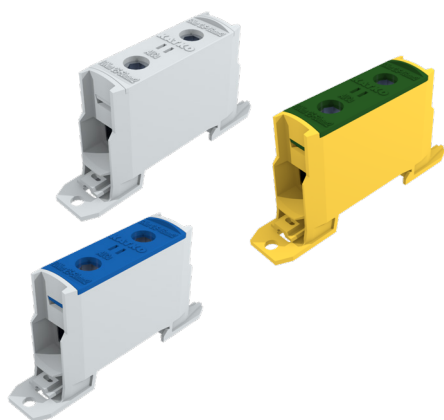
Type	Al/Cu mm ²	Torque Al/Cu (Nm)	No of conductors	Key size	EAN code 6419410...	Weight kg	Package size PCS
KLH2X150	2 x 50 - 150	44	4	Hex 17	...358580	0.26	3
KLH2X240	2 x 95 - 240	75	4	Hex 19	...358597	0.37	3
KLH2X300	2 x 185 - 300	75	4	Hex 19	...358603	0.49	3

SPREADERS

- For fitting cable connectors to switches

Type	Description	For	EAN code 6419410...	Package size PCS
ALK3160	8 mm bolt, 1 package contains spreaders for all terminals of switch	EVA & VKA 125-160A 3-pole	...225301	1
ALK4160	8 mm bolt, 1 package contains spreaders for all terminals of switch	EVA & VKA 125-160A 4-pole	...225400	1
ALK800	13 mm bolt, 1 package contains 1 spreader	KU 800A, 3 & 4-pole	...205884	1
ALK800C	13 mm bolt, 1 package contains 1 spreader	KU 800A, 3-pole	...205877	1

KL TERMINAL BLOCKS - UL 1059

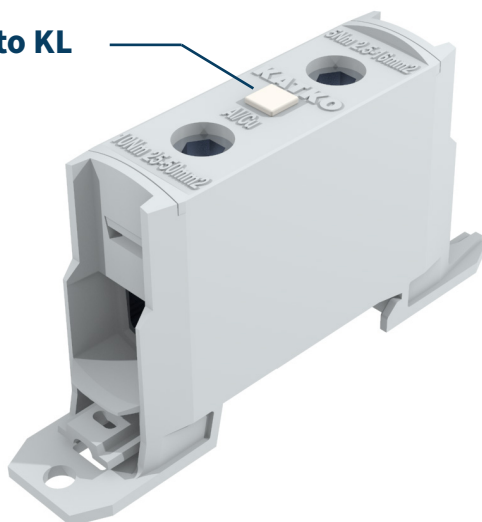


- UL cables: 500 kcmil - 6 AWG
- IEC cables: 2.5 - 240 mm²
- Available in grey, blue (N) and yellow/green (PE)
- Housing and cover in polyamide
- Terminal material tin-coated, greased aluminium
- For DIN-rail or base mounting
- Environmentally friendly materials
- UL 1059, CAN/CSA C22.2 No. 158-10
- Sale unit = 1 pc

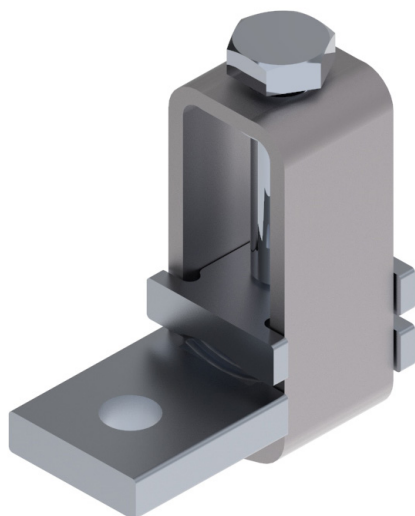
Type	EAN code 6419410...	Voltage (V)	Ampere Al (A)	Ampere Cu (A)	Line/Load Wire Size-Str Cu/Al (kcmil/AWG)	Torque Al/Cu lb-in	Key size	Mounting	Weight kg	Package size PCS
KL1X50	...378250	1000V	120A	150A	1/0 - 6	90 lb in	Hex 5	Screw / DIN	0.060	32
KL1X50N	...378267									
KL1X50PE	...378274									
KL2X50	...378281	1000V	240A	300A	1/0 - 6	90 lb in	Hex 5	Screw / DIN	0.104	18
KL2X50N	...378298									
KL1X95	...378311	1000V	155A	200A	3/0 - 4	110 lb in (1/0 - 4 AWG) / 200 lb in (3/0 - 2/0 AWG)	Hex 6	Screw / DIN	0.096	22
KL1X95N	...378328									
KL1X95PE	...378335									
KL2X95	...378342	1000V	360A	460A	4/0 - 4	110 lb in (1/0 - 4 AWG) / 200 lb in (4/0 - 2/0 AWG)	Hex 6	Screw / DIN	0.169	12
KL2X95N	...378359									
KL1X150	...378373	1000V	230A	285A	300 - 2	110 lb in (1/0 - 2 AWG) / 200 lb in (4/0 - 2/0 AWG) / 340 lb in (300 - 250 kcmil)	Hex 6	Screw / DIN	0.181	18
KL1X150N	...378380									
KL2X150	...378403	1000V	460A	570A	300 - 2	110 lb in (1/0 - 2 AWG) / 200 lb in (4/0 - 2/0 AWG) / 340 lb in (300 - 250 kcmil)	Hex 6	Screw / DIN	0.317	10
KL2X150N	...378410									
KL1X240	...378434	1000V	310A	380A	500 - 3/0	220 lb in (250 kcmil - 3/0 AWG) / 490 lb in (500 - 300 kcmil)	Hex 8	Screw / DIN	0.293	14
KL1X240N	...378441									
KL2X240	...378465									
KL2X240N	...378472	1000V	620A	760A	500 - 3/0	220 lb in (250 kcmil - 3/0 AWG) / 490 lb in (500 - 300 kcmil)	Hex 8	Screw / DIN	0.522	8

-- Grey, N = Blue, PE = Yellow/Green

Attaching marker to KL terminal block



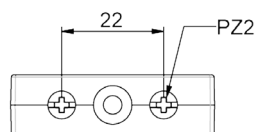
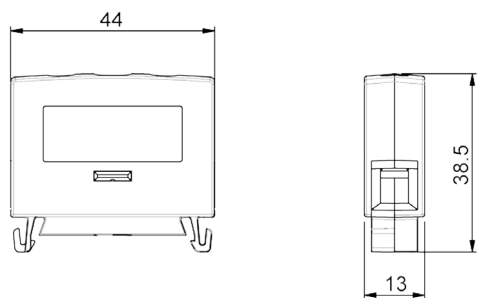
KLH CABLE CONNECTORS UL 486A-486B



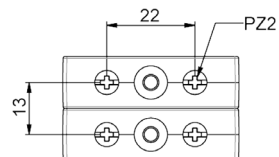
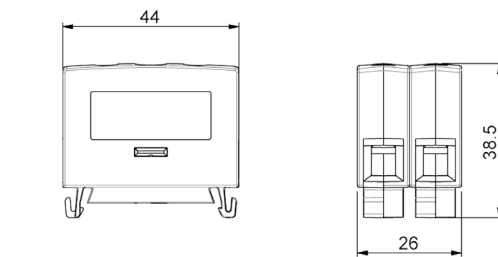
- UL 486A-486B
- CSA C22.2 No.65.
- Connector with an intermediate part for applying pressure to the conductor
- Suitable for various wire types (for example fine stranded and solid)
- Narrow profile when installed vertically
- Suitable for 2 x 1/0 AWG - 600 kcmil wires
- Sale unit = 1 pc
- Material:
 - Frame: stainless steel
 - Connection bar: tin-plated copper

Type	EAN code 6419410...	Line/Load Wire Size-Str (kcmil/AWG)	Torque Cu lb-in	Key size	Weight kg	Package size PCS
KLH2X150	...358580	2 x 300 - 1/0	390	Hex 17	0.26	3
KLH2X240	...358597	2 x 500 - 3/0	660	Hex 19	0.37	3
KLH2X300	...358603	2 x 600 - 300	660	Hex 19	0.49	3

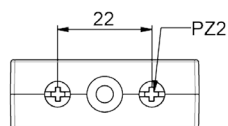
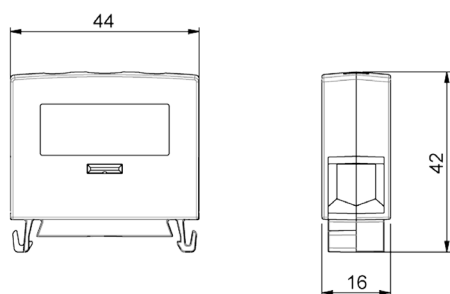
DIMENSIONAL DRAWINGS KC & KL TERMINAL BLOCKS



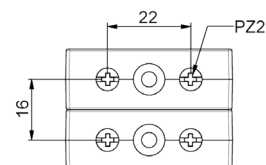
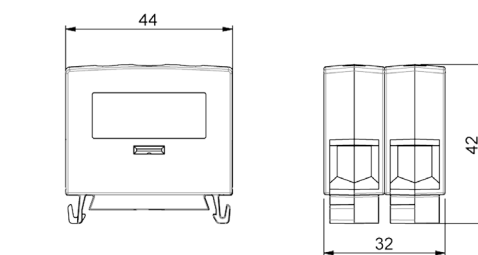
KC1X16



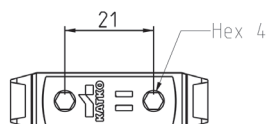
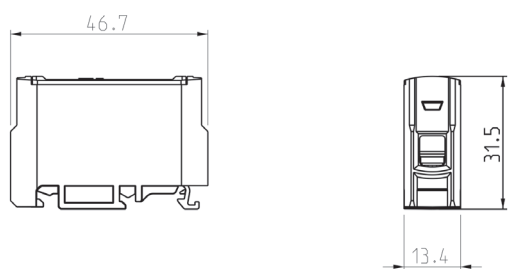
KC2X16



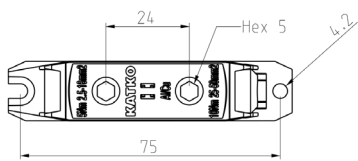
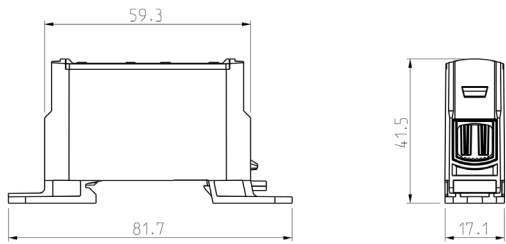
KC1X35



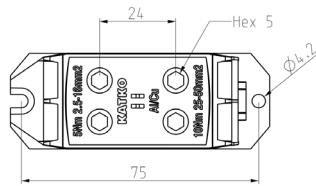
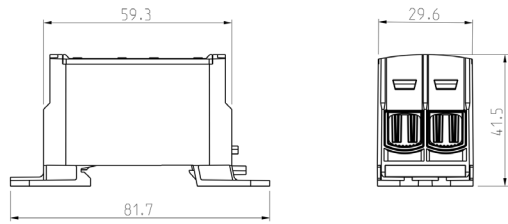
KC2X35



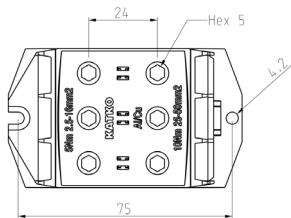
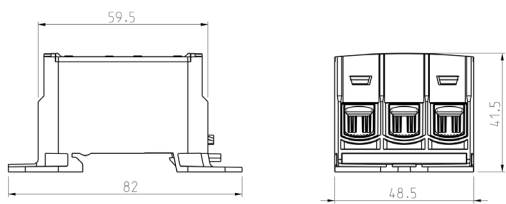
KL1X16



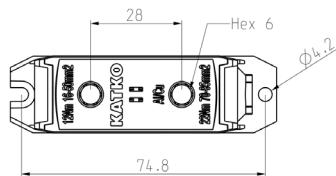
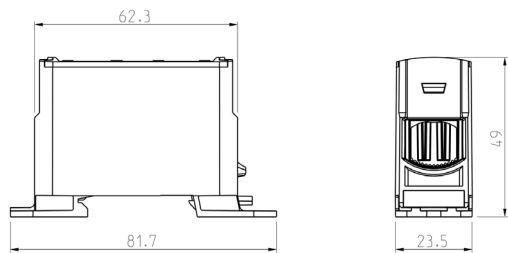
KL1X50



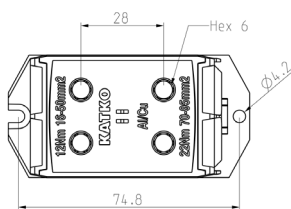
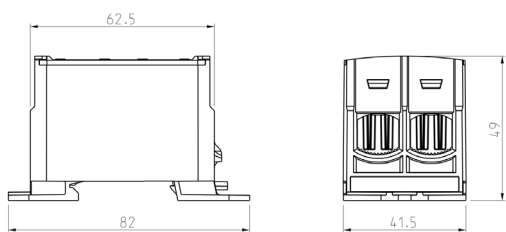
KL2X50



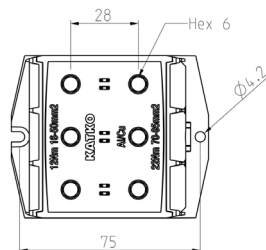
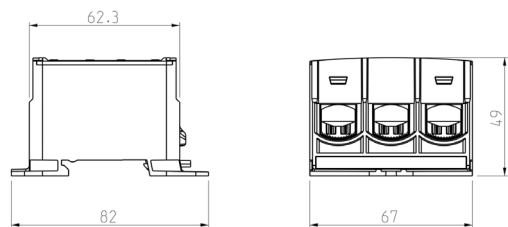
KL3X50 / 3X1X50



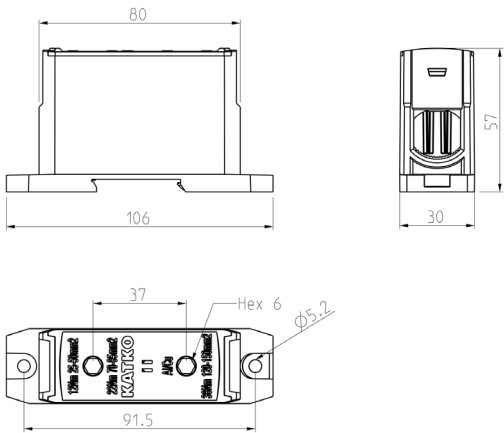
KL1X95



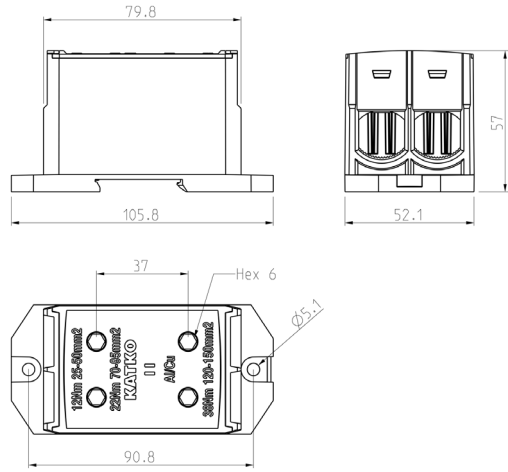
KL2X95



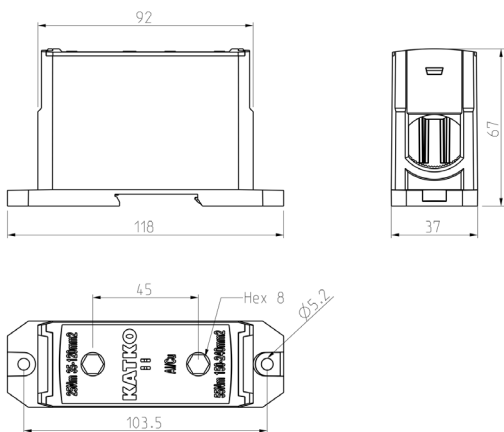
KL3X95 / 3X1X95



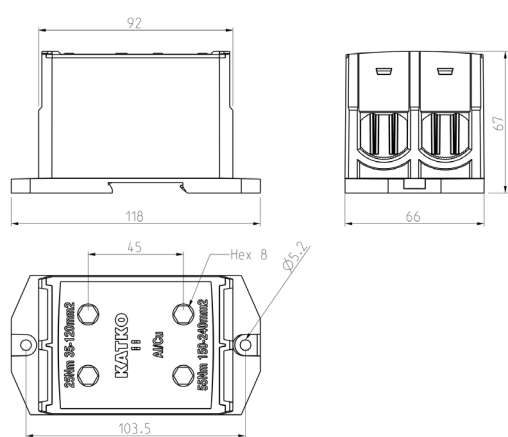
KL1X150



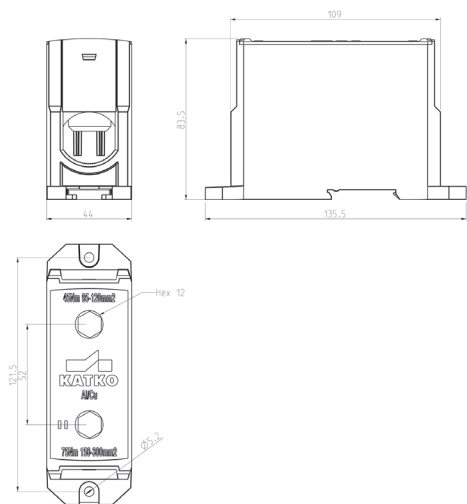
KL2X150



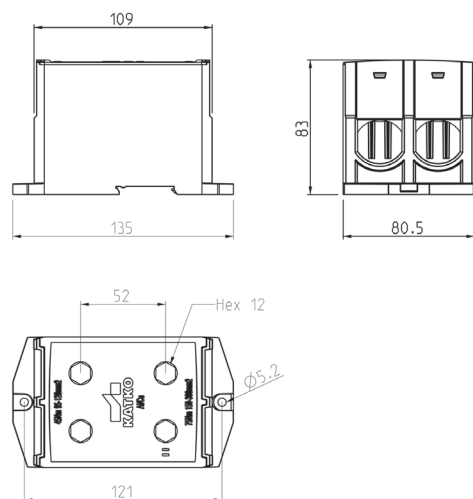
KL1X240



KL2X240

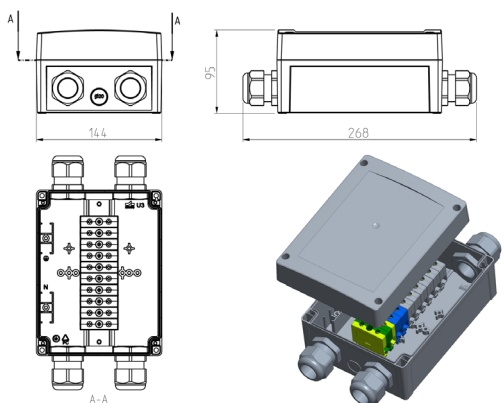


KL1X300

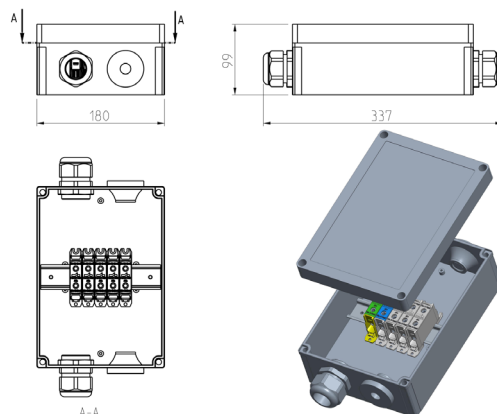


KL2X300

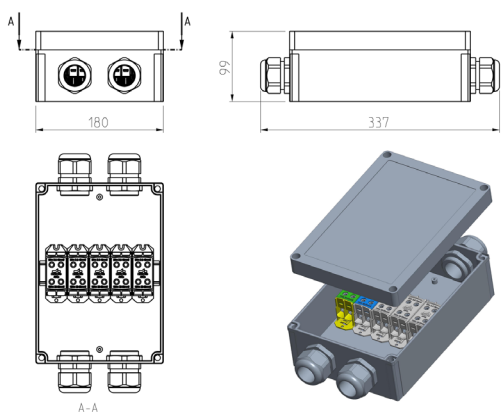
DIMENSIONAL DRAWINGS ENCLOSED TERMINAL BLOCKS



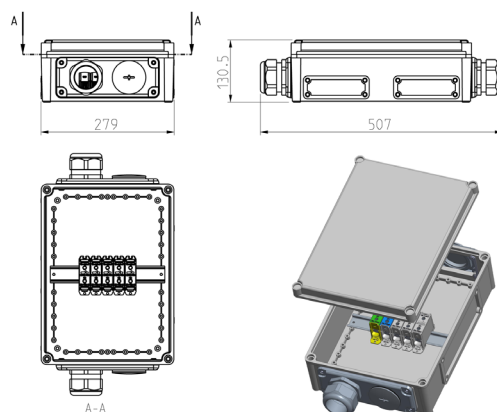
KLM2X16



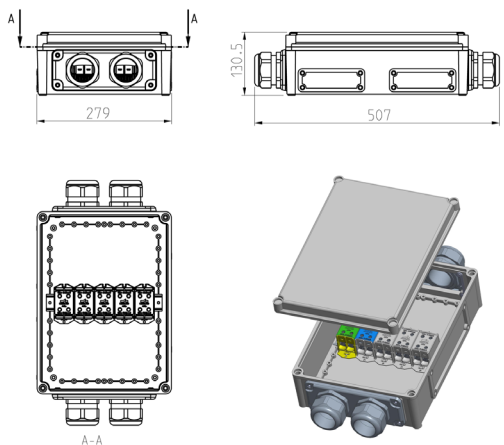
KLM1X50



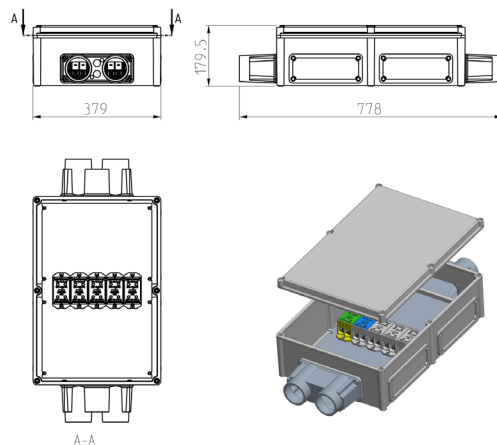
KLM2X50



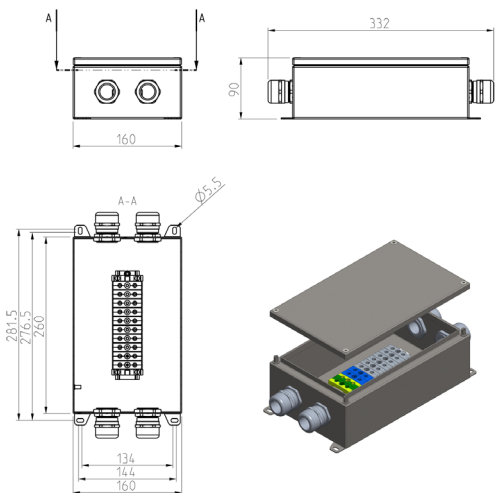
KLM1X95



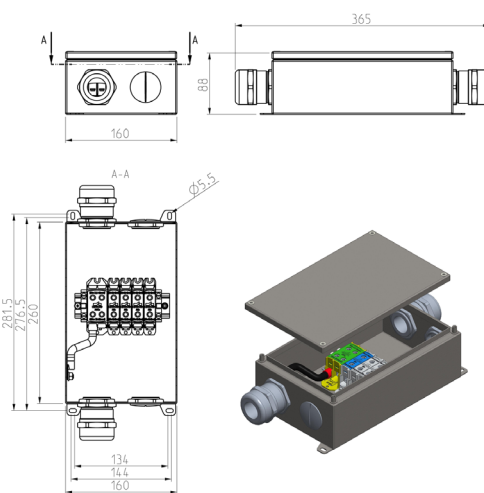
KLM2X95



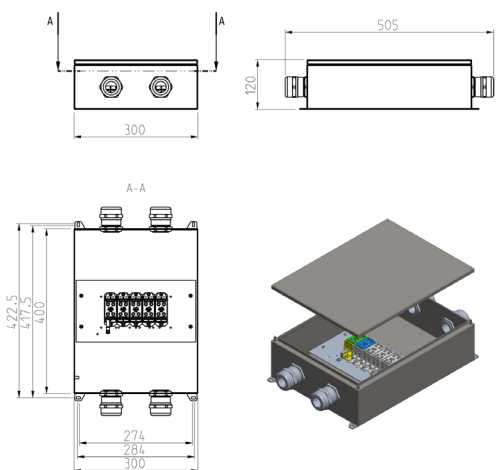
KLM2X150



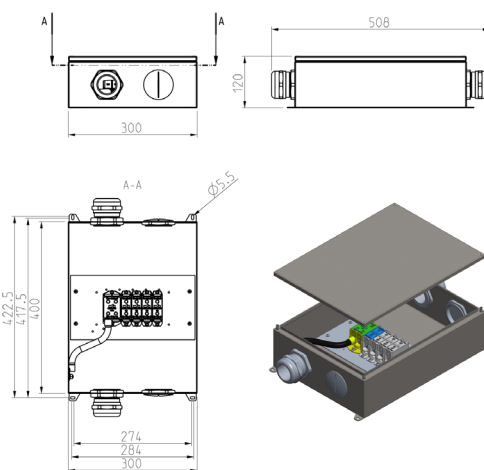
KLR2X16



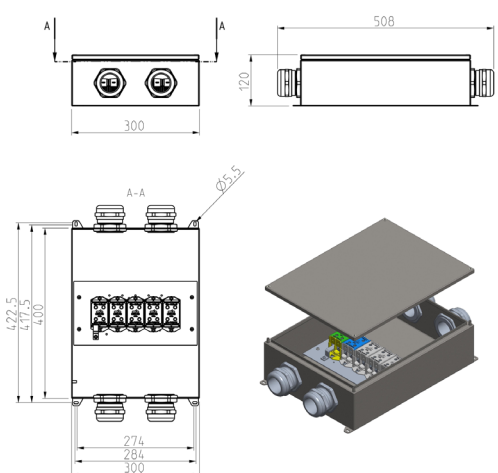
KLR1X50



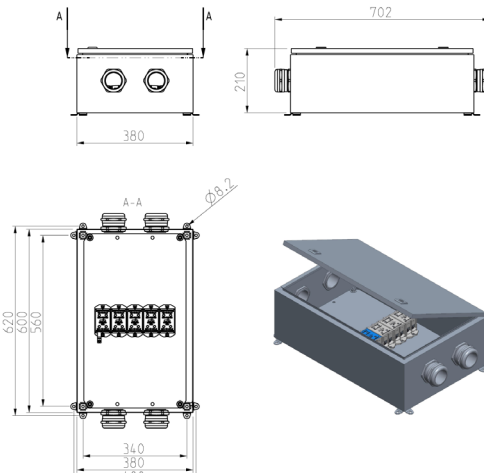
KLR2X50



KLR1X95

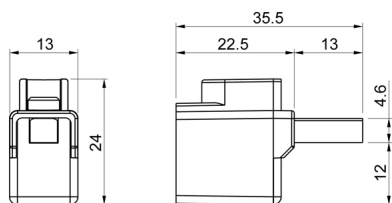


KLR2X95

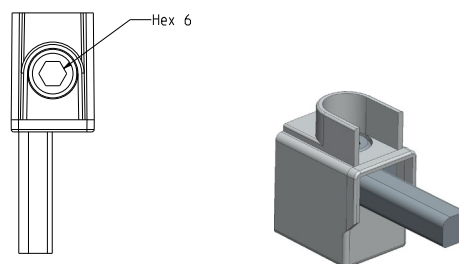
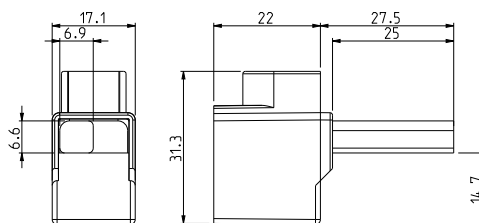


KLR2X150

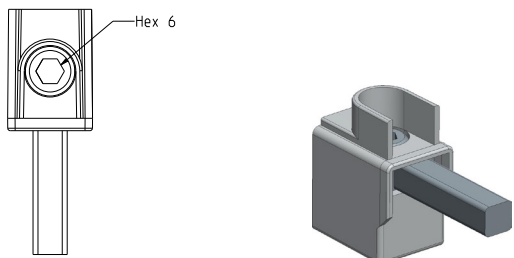
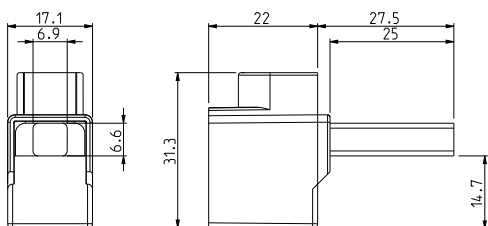
DIMENSIONAL DRAWINGS KKL CABLE CONNECTORS



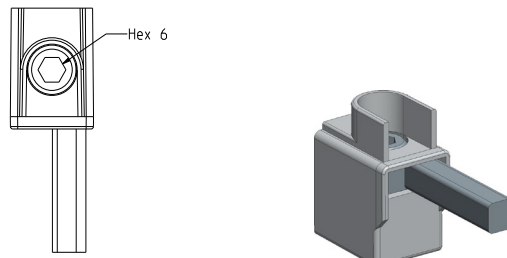
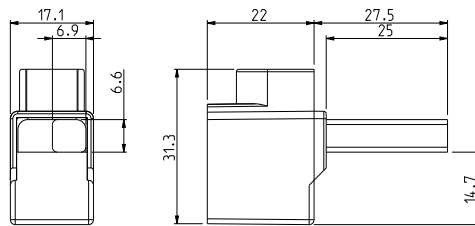
KKL1X16



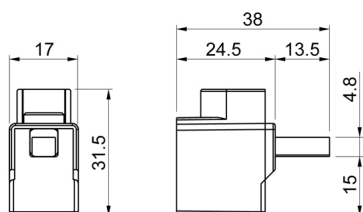
KKL1X50T1



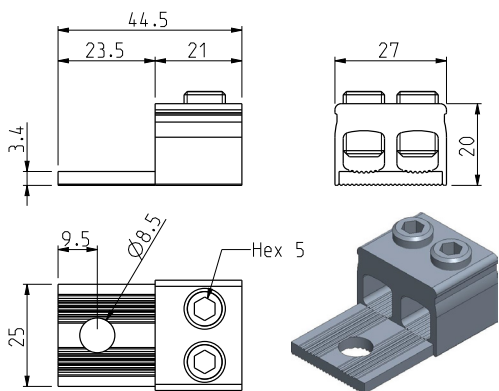
KKL1X50T2



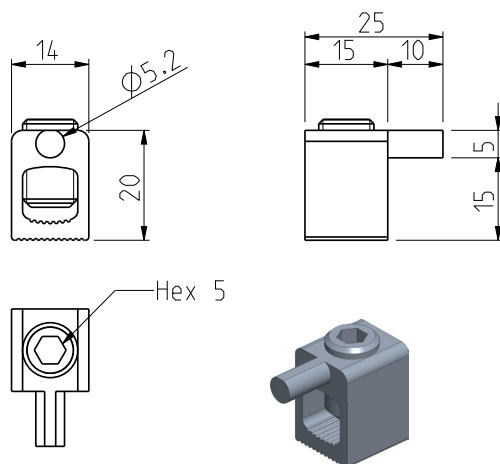
KKL2X50T3



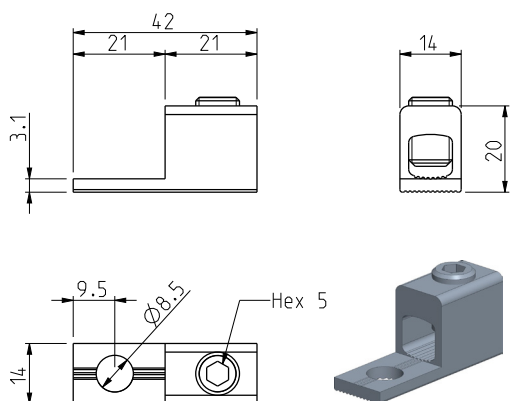
KKL1X50M



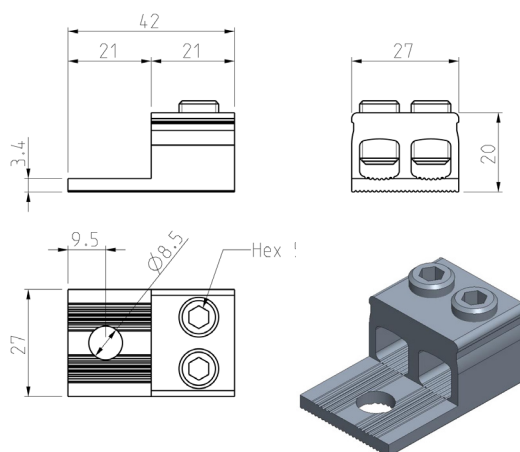
KKL2X50M



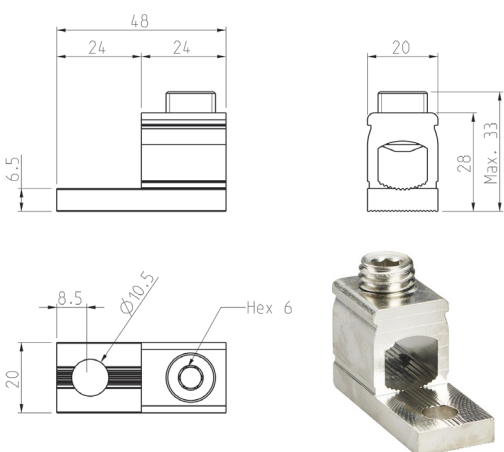
KKL1X50N



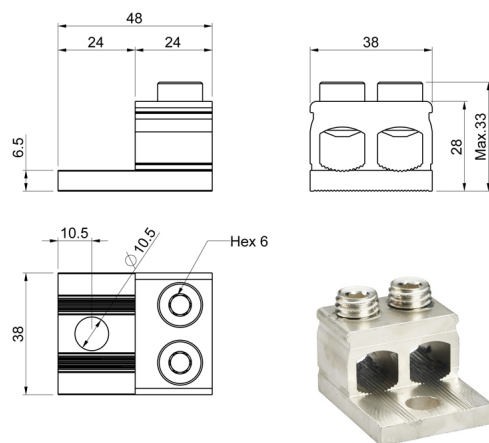
KKL1X50



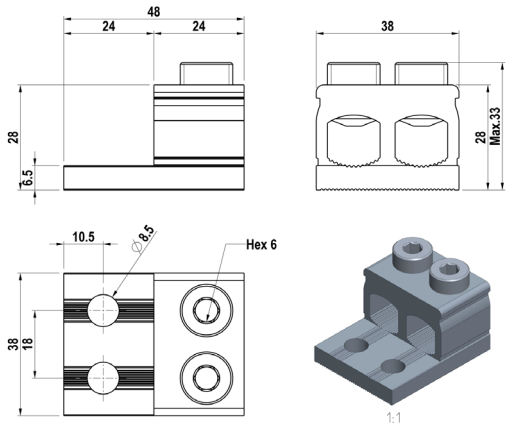
KKL2X50



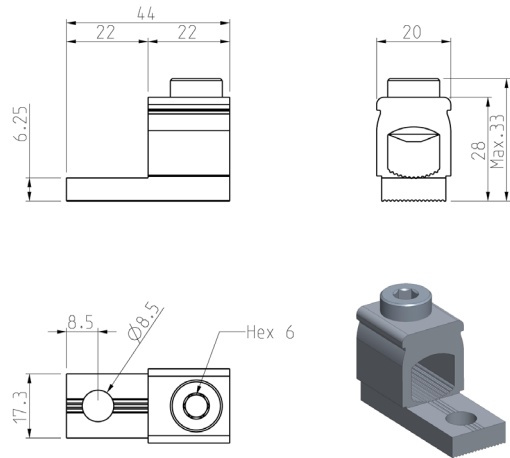
KKL1X95



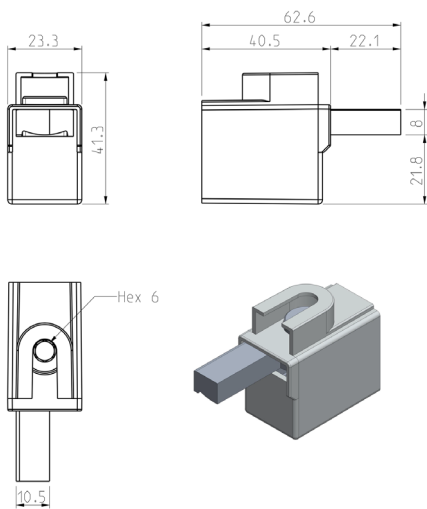
KKL2X95



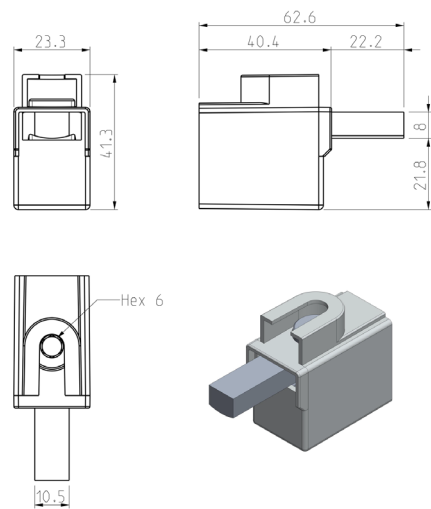
KKL2X95LR



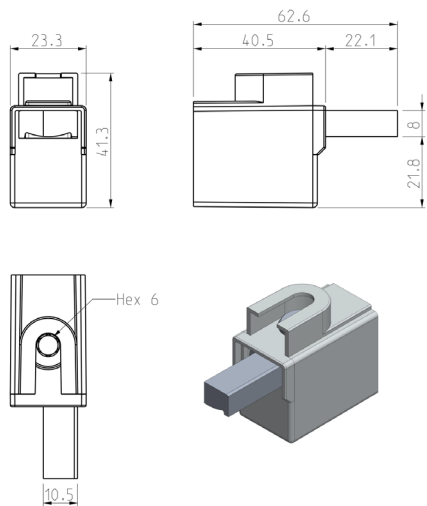
KKL1X95M



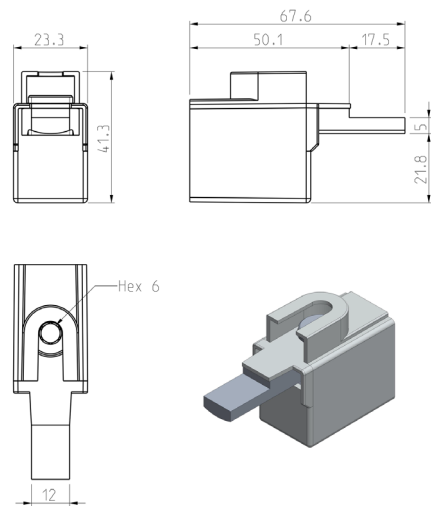
KKL1X120T1



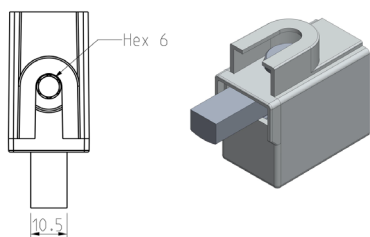
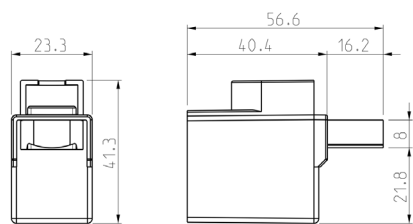
KKL1X120T2



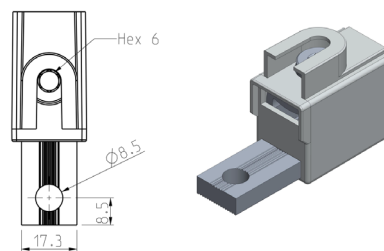
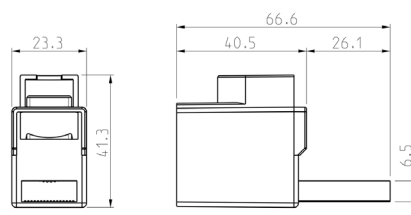
KKL1X120T3



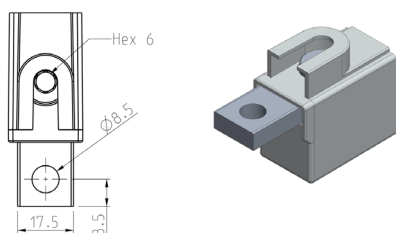
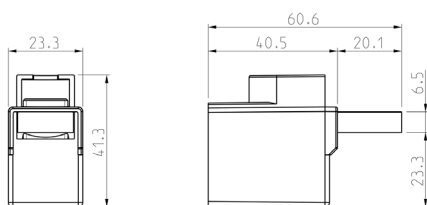
KKL1X120T



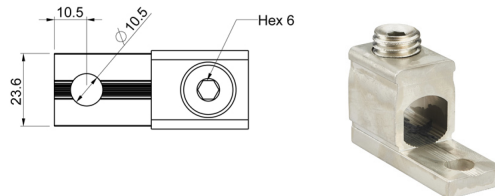
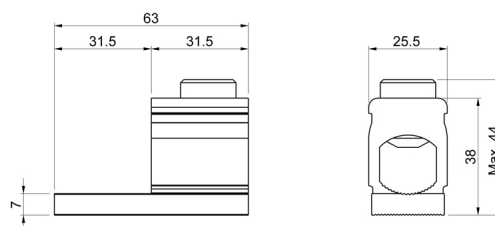
KKL1X120TM



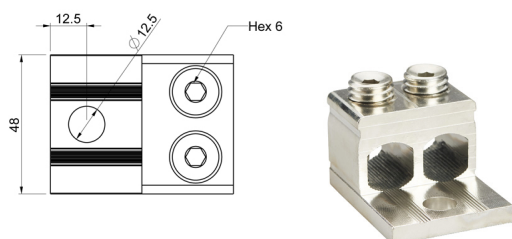
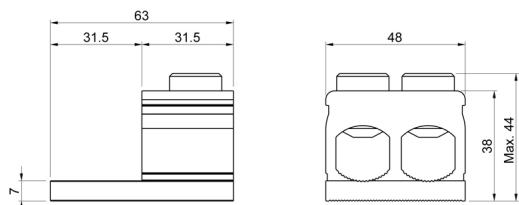
KKL1X120RS



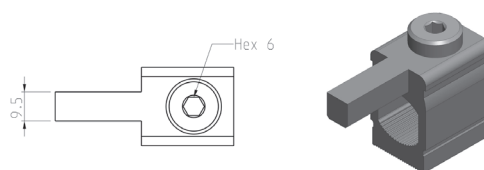
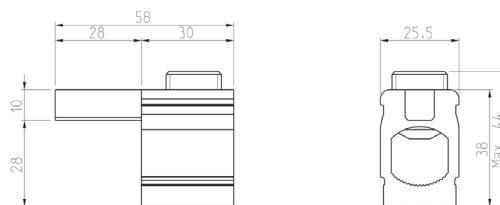
KKL1X120RSY



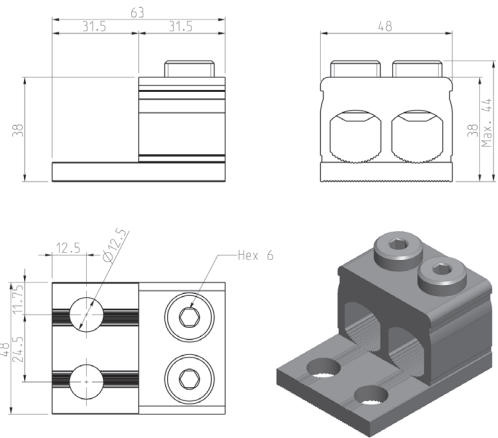
KKL1X150



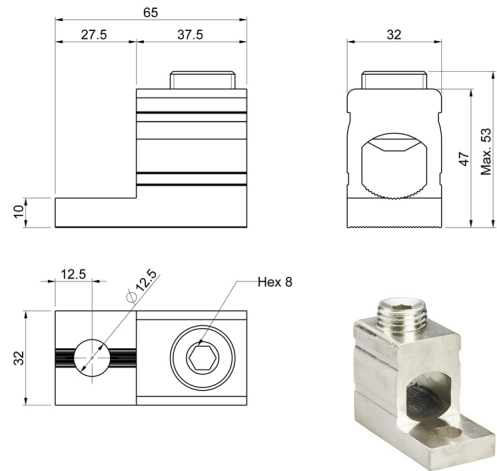
KKL2X150



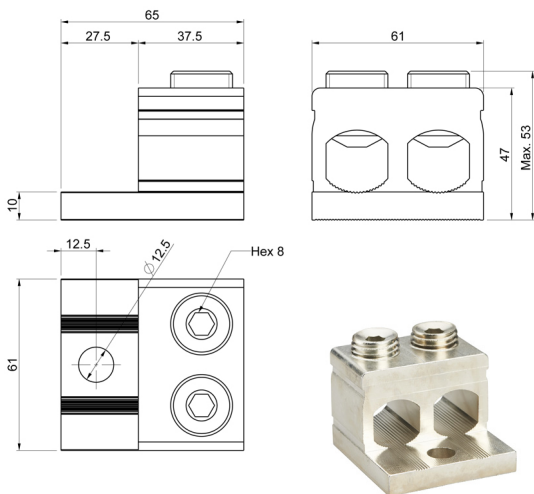
KKL1X150T2



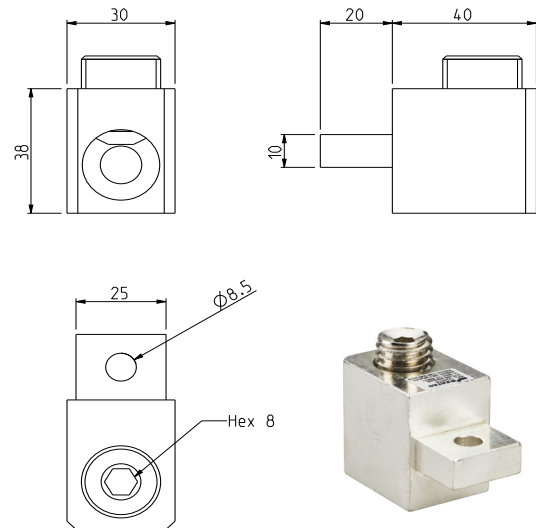
KKL2X150LR



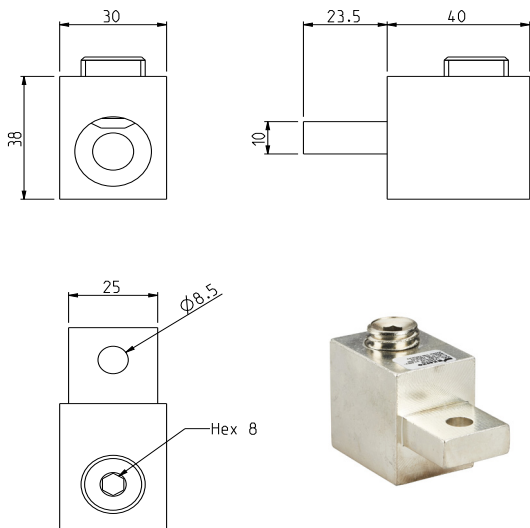
KKL1X240



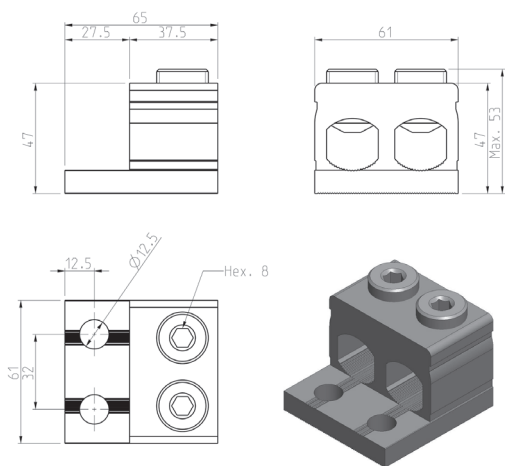
KKL2X240



KKL1X240TE

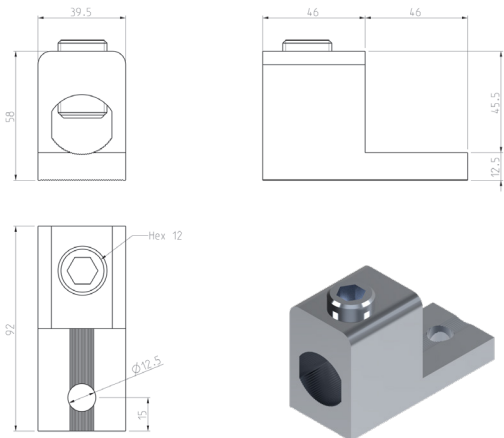


KKL1X240TM

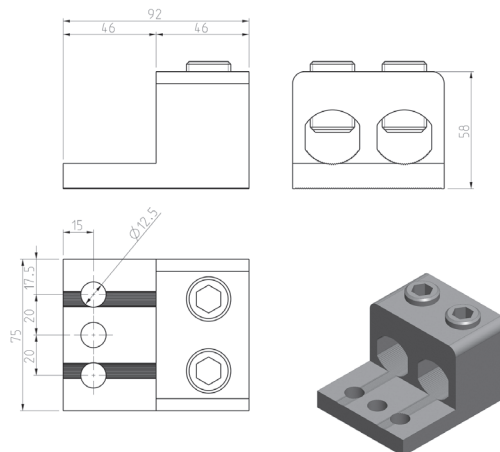


KKL2X240LR

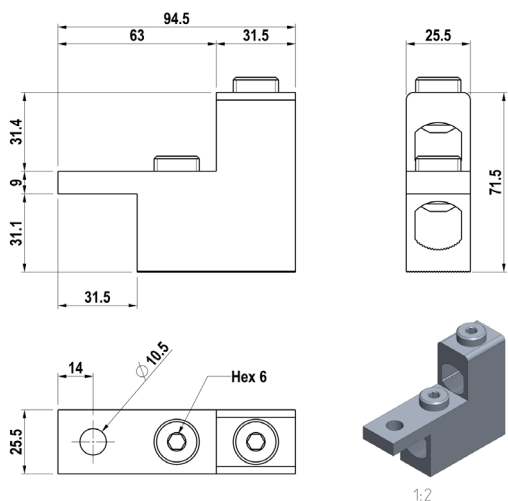
DIMENSIONAL DRAWINGS CABLE CONNECTORS & KKL VERTICAL CABLE CONNECTORS



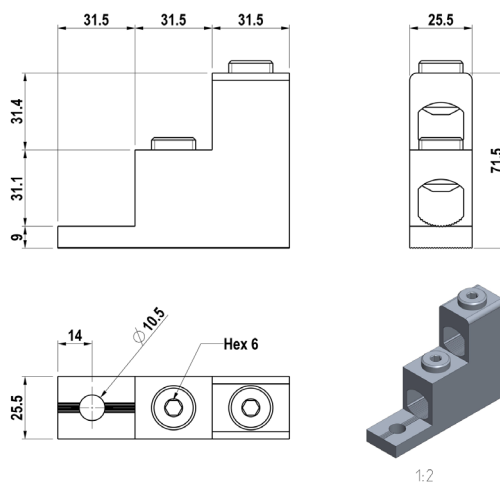
KKL1X300



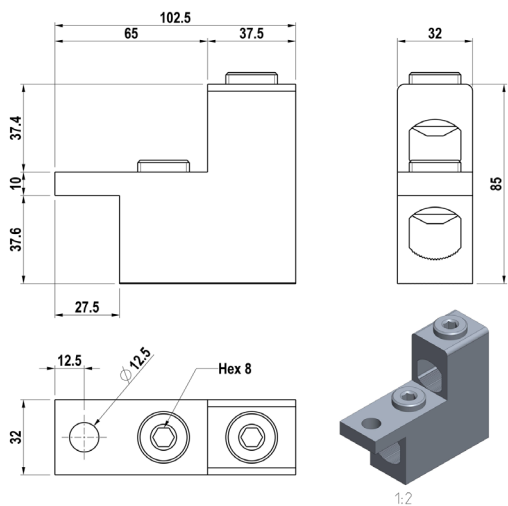
KKL2X300



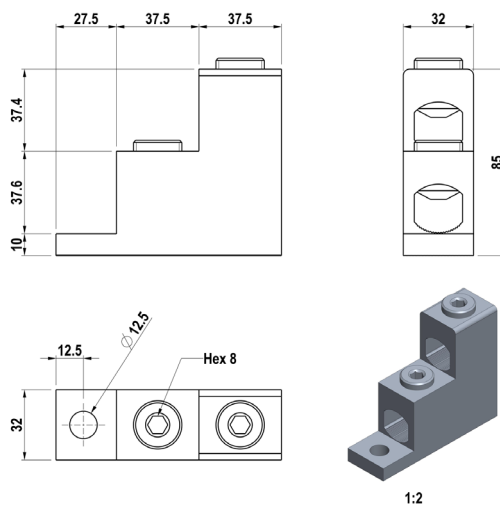
KKL2X150VM



KKL2X150VB

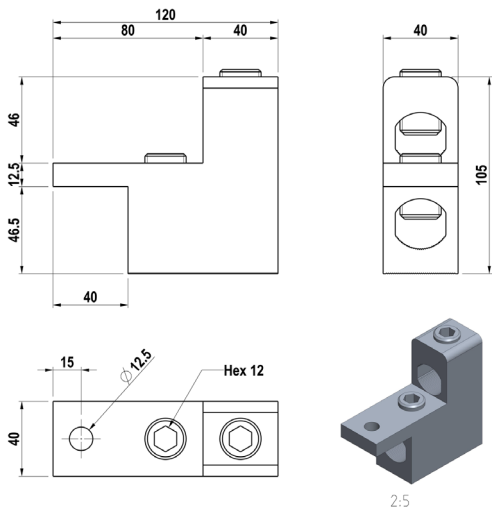


KKL2X240VM

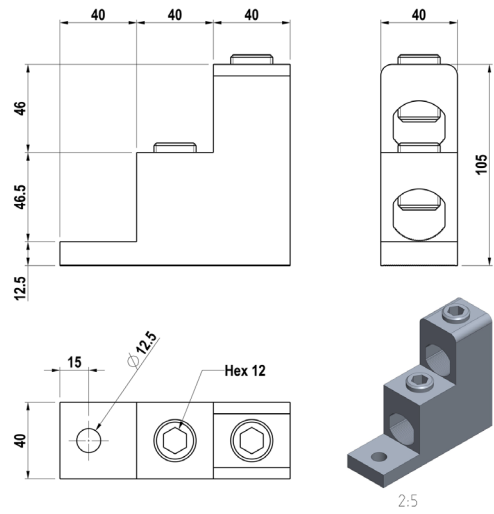


KKL2X240VB

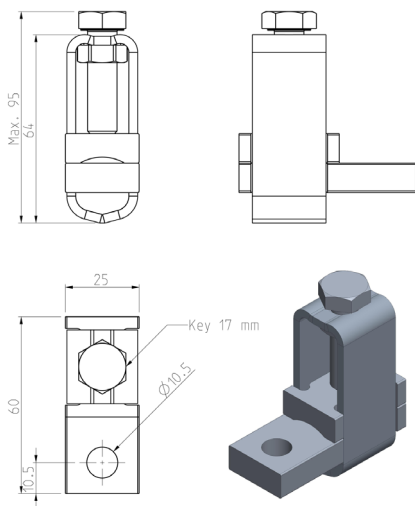
DIMENSIONAL DRAWINGS KKL VERTICAL CABLE CONNECTORS & KLH CABLE CONNECTORS



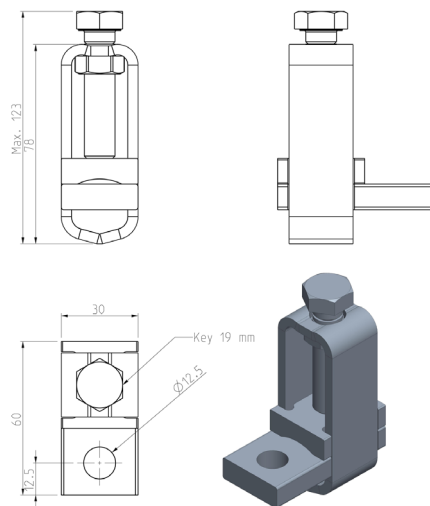
KKL2X300VM



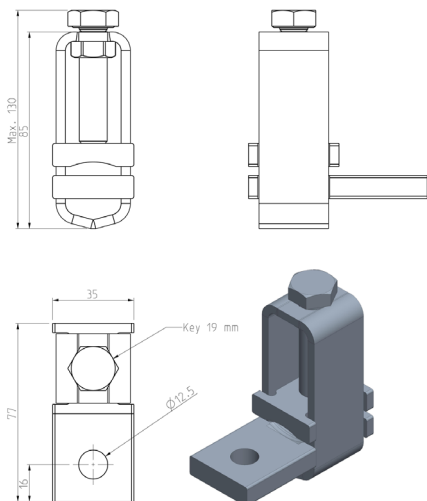
KKL2X300VB



KLH2X150



KLH2X240



KLH2X300

NUMBER OF CONDUCTORS SIMULTANEOUSLY CONNECTABLE TO THE TERMINAL

				Cross section (mm ²)/ number of conductors simultaneously connectable to the terminal																																		
Type	In [A]	Torque [Nm]		1,5 2,5 4 6 10 16 25 35 50 70 95 120 150 185 240 300																																		
				1X16*	75	5 Nm (2,5-16 mm ²)	Al	-	1	1	1	1	1	-	-	-	-	-	-	-	-	-	-	Cu	3	3	3	2	1	1	-	-	-	-	-	-	-	-
	76																																					
1X50* 3X50* 3X1X50*	160	5Nm (2,5-16mm ²)	Al	-	1	1	1	1	1	1	1	1	1	-	-	-	-	-	-	Cu	-	3	3	3	3	2	1	1**	1	-	-	-	-	-	-	-	-	-
			10Nm (25-50mm ²)																																			
2X50*	200	5Nm (2,5-16mm ²)	Al	-	1	1	1	1	1	1	1	1	1	-	-	-	-	-	-	Cu	-	3	3	3	3	2	1	1**	1	-	-	-	-	-	-	-	-	-
	320	10Nm (25-50mm ²)																																				
1X95* 3X95* 3X1X95*	200	12Nm (16-50mm ²)	Al	-	-	-	-	-	-	1	1	1	1	1	1	-	-	-	-	Cu	-	-	-	-	-	3	2	2	1	1**	1	-	-	-	-	-	-	
	245	22Nm (70-95mm ²)																																				
2X95*	400	12Nm (16-50mm ²)	Al	-	-	-	-	-	-	1	1	1	1	1	1	-	-	-	-	Cu	-	-	-	-	-	3	2	2	1	1**	1	-	-	-	-	-	-	
	490	22Nm (70-95mm ²)																																				
1X150*	250 320	12Nm (25-50mm ²)	Al	-	-	-	-	-	-	-	-	-	-	1	1	1	1	1	1	Cu	-	-	-	-	-	-	3	3	2	1	1	1	1**	1	-	-		
		22Nm (70-95mm ²)																																				
		38Nm (120-150mm ²)																																				
2X150*	500 640	12Nm (25-50mm ²)	Al	-	-	-	-	-	-	-	-	-	-	1	1	1	1	1	1	Cu	-	-	-	-	-	-	3	3	2	1	1	1	1**	1	-	-		
		22Nm (70-95mm ²)																																				
		38Nm (120-150mm ²)																																				
1X240*	315	25Nm (35-120mm ²)	Al	-	-	-	-	-	-	-	-	-	-	1	1	1	1	1	1	Cu	-	-	-	-	-	-	-	3	3	2	1	1	1	1	1	-		
	425	55Nm (150-240mm ²)																																				
2X240*	630	25Nm (35-120mm ²)	Al	-	-	-	-	-	-	-	-	-	-	1	1	1	1	1	1	Cu	-	-	-	-	-	-	-	3	3	2	1	1	1	1	1	-		
	850	55Nm (150-240mm ²)																																				
1X300*	400	45 Nm (95-120 mm ²)	Al	-	-	-	-	-	-	-	-	-	-	-	-	-	1	1	1	Cu	-	-	-	-	-	-	-	-	-	-	2	2	1	1	1	1		
	520	75 Nm (150-300 mm ²)																																				
2X300*	800	45 Nm (95-120 mm ²)	Al	-	-	-	-	-	-	-	-	-	-	-	-	-	1	1	1	Cu	-	-	-	-	-	-	-	-	-	-	2	2	1	1	1	1		
	1040	75 Nm (150-300 mm ²)																																				

				Cross section (mm ²)/ number of conductors simultaneously connectable to the terminal																																	
Type	In [A]	Torque [Nm]		1,5 2,5 4 6 10 16 25 35 50 70 95 120 150 185 240 300																																	
				2X150	455	44 Nm (50-150 mm ²)	Al	-	-	-	-	-	-	-	-	-	-	-	-	1	1	1	1	1	Cu	-	-	-	-	-	-	-	-	2	1	1	1
579																																					
2X240	631	75 Nm (95-240 mm ²)	Al	-	-	-	-	-	-	-	-	-	-	-	-	-	1	1	1	1	1	Cu	-	-	-	-	-	-	-	-	-	2	2	1	1	1	-
	806																																				
2X300	810	75 Nm (185-300 mm ²)	Al	-	-	-	-	-	-	-	-	-	-	-	-	-	-	-	-	-	Cu	-	-	-	-	-	-	-	-	-	-	-	-	-	1	1	1
	1035																																				

* N = Blue = only for one neutral conductor

* PE = Yellow/green = only for one protective conductor

** Biggest fine-strand conductors

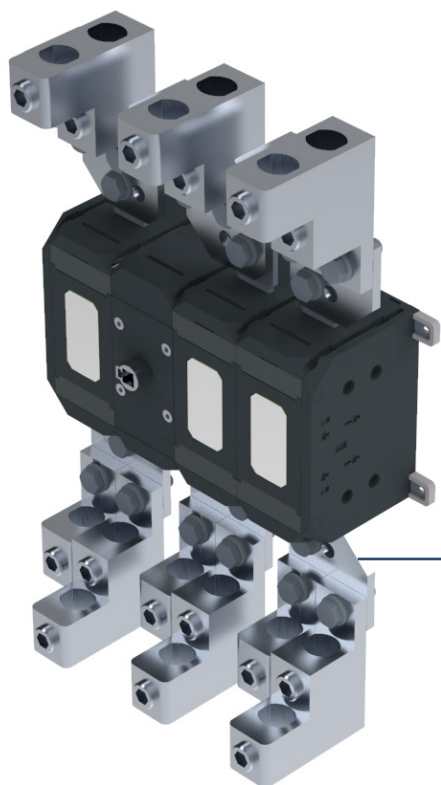
Cu conductors may be solid, multi-strand or fine-strand conductors. With fine strand conductors use of cable end sleeve is recommended but not required.

			Cross section (mm ²)/ number of conductors simultaneously connectable to the terminal																	
Type	In [A]	Torque [Nm]		1,5	2,5	4	6	10	16	25	35	50	70	95	120	150	185	240	300	
1X16	63	2,2Nm (1,5-16mm ²)	Al	1	1	1	1	1	1											
			Cu	3	3	3	2	1**	1											
1X50	160	5Nm (2,5-16mm ²)	Al	-	-	-	-	-	1	1	1	1								
		10Nm (25-50mm ²)	Cu	-	3	3	3	3	2	1	1**	1								
1X50N	125	5Nm (2,5-16mm ²)	Al	-	-	-	-	-	1	1	1	1								
		10Nm (25-50mm ²)	Cu	-	3	3	3	3	2	1	1**	1								
1X50M	125	5Nm (2,5-16mm ²)	Al	-	-	-	-	-	1	1	1	1								
		10Nm (25-50mm ²)	Cu	-	3	3	3	3	2	1	1**	1								
1X50T1	125	5Nm (2,5-16mm ²)	Al	-	-	-	-	-	1	1	1	1								
		10Nm (25-50mm ²)	Cu	-	3	3	3	3	2	1	1**	1								
1X50T2	125	5Nm (2,5-16mm ²)	Al	-	-	-	-	-	1	1	1	1								
		10Nm (25-50mm ²)	Cu	-	3	3	3	3	2	1	1**	1								
1X50T3	125	5Nm (2,5-16mm ²)	Al	-	-	-	-	-	1	1	1	1								
		10Nm (25-50mm ²)	Cu	-	3	3	3	3	2	1	1**	1								
2X50	200	5Nm (2,5-16mm ²)	Al	-	1	1	1	1	1	1	1	1								
	320	10Nm (25-50mm ²)	Cu	-	3	3	3	3	2	1	1**	1								
2X50M	200	5Nm (2,5-10mm ²)	Al	-	1	1	1	1	1	1	1	1								
	320	10Nm (16-50mm ²)	Cu	-	3	3	3	3	2	1	1**	1								
1X95	200	12Nm (16-50mm ²)	Al	-	-	-	-	-	1	1	1	1	1	1						
	245	22Nm (70-95mm ²)	Cu	-	-	-	-	-	3	2	2	1	1**	1						
1X95M	200	12Nm (16-50mm ²)	Al	-	-	-	-	-	1	1	1	1	1	1						
	245	22Nm (70-95mm ²)	Cu	-	-	-	-	-	3	2	2	1	1**	1						
2X95	400	12Nm (16-50mm ²)	Al	-	-	-	-	-	1	1	1	1	1	1						
2X95LR	490	22Nm (70-95mm ²)	Cu	-	-	-	-	-	3	2	2	1	1**	1						
1X120	200	12Nm (16-50mm ²)	Al	-	-	-	-	-	1	1	1	1	1	1	1					
	245	22Nm (70-120mm ²)	Cu	-	-	-	-	-	3	2	2	1	1**	1	1					
1X120RS	200	12Nm (16-50mm ²)	Al	-	-	-	-	-	1	1	1	1	1	1	1					
	245	22Nm (70-120mm ²)	Cu	-	-	-	-	-	3	2	2	1	1**	1	1					
1X120RSY	200	12Nm (16-50mm ²)	Al	-	-	-	-	-	1	1	1	1	1	1	1					
	245	22Nm (70-120mm ²)	Cu	-	-	-	-	-	3	2	2	1	1**	1	1					
1X120T	200	12Nm (16-50mm ²)	Al	-	-	-	-	-	1	1	1	1	1	1	1					
	245	22Nm (70-120mm ²)	Cu	-	-	-	-	-	3	2	2	1	1**	1	1					
1X120T1	200	12Nm (16-50mm ²)	Al	-	-	-	-	-	1	1	1	1	1	1	1					
	245	22Nm (70-120mm ²)	Cu	-	-	-	-	-	3	2	2	1	1**	1	1					
1X120T2	200	12Nm (16-50mm ²)	Al	-	-	-	-	-	1	1	1	1	1	1	1					
	245	22Nm (70-120mm ²)	Cu	-	-	-	-	-	3	2	2	1	1**	1	1					
1X120T3	200	12Nm (16-50mm ²)	Al	-	-	-	-	-	1	1	1	1	1	1	1					
	245	22Nm (70-120mm ²)	Cu	-	-	-	-	-	3	2	2	1	1**	1	1					
1X120TM	200	12Nm (16-50mm ²)	Al	-	-	-	-	-	1	1	1	1	1	1	1					
	245	22Nm (70-120mm ²)	Cu	-	-	-	-	-	3	2	2	1	1**	1	1					
1X150	250	12Nm (25-50mm ²)	Al	-	-	-	-	-	-	1	1	1	1	1	1	1				
	320	22Nm (70-95mm ²)	Cu	-	-	-	-	-	-	3	3	2	1	1	1**	1				
		38Nm (120-150mm ²)																		
2X150	500	12Nm (25-50mm ²)	Al	-	-	-	-	-	-	1	1	1	1	1	1	1				
	640	22Nm (70-95mm ²)	Cu	-	-	-	-	-	-	3	3	2	1	1	1**	1				
		38Nm (120-150mm ²)																		
2X150VB	500	12 Nm (25-50 mm ²)	Al	-	-	-	-	-	-	1	1	1	1	1	1	1				
	640	22 Nm (70-95 mm ²)	Cu	-	-	-	-	-	-	3	3	2	1	1	1**	1				
		38 Nm (120-150 mm ²)																		
2X150VM	500	12 Nm (25-50 mm ²)	Al	-	-	-	-	-	-	1	1	1	1	1	1	1				
	640	22 Nm (70-95 mm ²)	Cu	-	-	-	-	-	-	3	3	2	1	1	1**	1				
		38 Nm (120-150 mm ²)																		
1X240	315	25Nm (35-120mm ²)	Al	-	-	-	-	-	-	-	1	1	1	1	1	1	1	1	1	
	425	55Nm (150-240mm ²)	Cu	-	-	-	-	-	-	-	3	3	2	1	1	1	1**	1	1	
2X240	630	25Nm (35-120mm ²)	Al	-	-	-	-	-	-	-	1	1	1	1	1	1	1	1	1	
	850	55Nm (150-240mm ²)	Cu	-	-	-	-	-	-	-	3	3	2	1	1	1	1**	1	1	
2X240VB	630	25Nm (35-120mm ²)	Al	-	-	-	-	-	-	-	1	1	1	1	1	1	1	1	1	
	850	55Nm (150-240mm ²)	Cu	-	-	-	-	-	-	-	3	3	2	1	1	1	1**	1	1	
2X240VM	630	25Nm (35-120mm ²)	Al	-	-	-	-	-	-	-	1	1	1	1	1	1	1	1	1	
	850	55Nm (150-240mm ²)	Cu	-	-	-	-	-	-	-	3	3	2	1	1	1	1**	1	1	
1X300	400	45 Nm (95-120 mm2)	Al	-	-	-	-	-	-	-	-	-	-	1	1	1	1	1	1	
	520	75 Nm (150-300 mm2)	Cu	-	-	-	-	-	-	-	-	-	-	2	2	1	1	1**	1	
2X300	800	45 Nm (95-120 mm2)	Al	-	-	-	-	-	-	-	-	-	-	1	1	1	1	1	1	
	1040	75 Nm (150-300 mm2)	Cu	-	-	-	-	-	-	-	-	-	-	2	2	1	1	1**	1	
2X300VB	800	45 Nm (95-120 mm2)	Al	-	-	-	-	-	-	-	-	-	-	1	1	1	1	1	1	
	1040	75 Nm (150-300 mm2)	Cu	-	-	-	-	-	-	-	-	-	-	2	2	1	1	1**	1	
2X300VM	800	45 Nm (95-120 mm2)	Al	-	-	-	-	-	-	-	-	-	-	1	1	1	1	1	1	
	1040	75 Nm (150-300 mm2)	Cu	-	-	-	-	-	-	-	-	-	-	2	2	1	1	1**	1	

** Biggest fine-strand conductors

Cu conductors may be solid, multi-strand or fine-strand conductors. With fine strand conductors use of cable end sleeve is recommended but not required.

COMPATIBILITY TABLE KATKO SWITCHES AND CABLE CONNECTORS



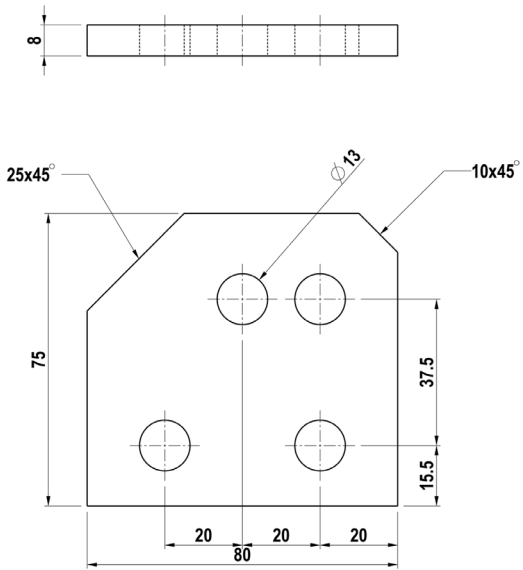
- Following tables show compatibility of KATKO switches and cable connectors and most common combinations
- With spreaders it is possible to mount different combinations of connectors and switches that are not shown in these tables. Ask your local sales person for more information.

SPREADER (ALK800)

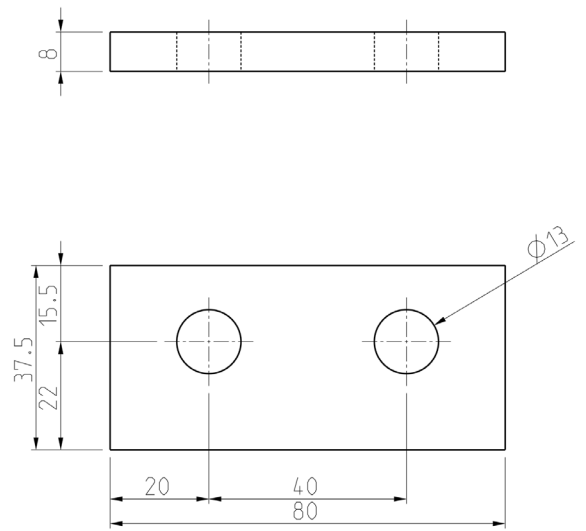
**KU 3800 + 3 x KKL2X300VB (TOP) + 3 x KKL1X300 (TOP)
+ 3 x KKL2X300VB (BOTTOM) + 3 x KKL1X300 (BOTTOM)**

Switch	KU					
	16 - 40 N	63 - 80 N (3-pole)	100 - 160 (3-pole)	160P + 200 - 250	315 - 400	630 - 800 (3-pole)
16 mm²	KKL1X16 (only top)	KKL1X16 (only top)	-	-	-	-
50 mm²	KKL1X50M (only top)	KKL1X50T2	KKL1X50T2	KKL2X50	-	-
95 mm²	-	-	-	KKL1X95	-	-
120 mm²	-	-	KKL1X120T	-	-	-
150 mm²	-	-	-	KKL1X150, KKL2X150VM	KKL1X150, KKL2X150VM	KKL2X150, KKL2X150VB, KKL2X150VM, KLH2X150
240 mm²	-	-	-	KKL2X150VB, KL- H2X150	KKL2X150VB, KLH2X150	KKL2X240, KKL2X240VB, KKL2X240VM, KLH2X240
300 mm²	-	-	-	-	-	KKL2X300, KKL2X300VB, KKL2X300VM, KLH2X300

COMPATIBILITY TABLE & DIMENSIONAL DRAWINGS OF SPREADERS

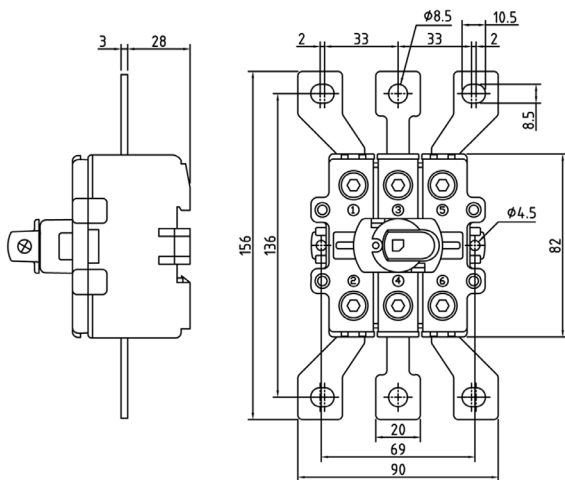


ALK800

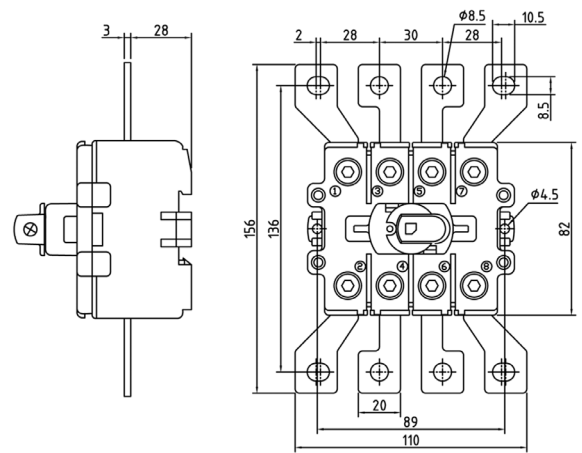


ALK800C

COMPATIBILITY TABLE & DIMENSIONAL DRAWINGS OF SPREADERS

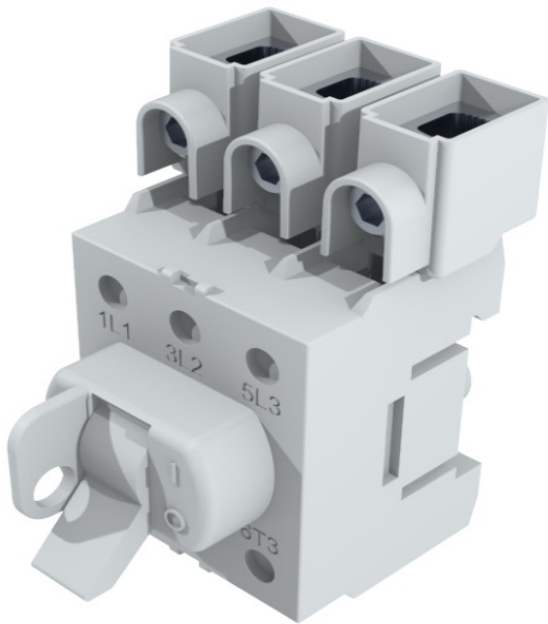
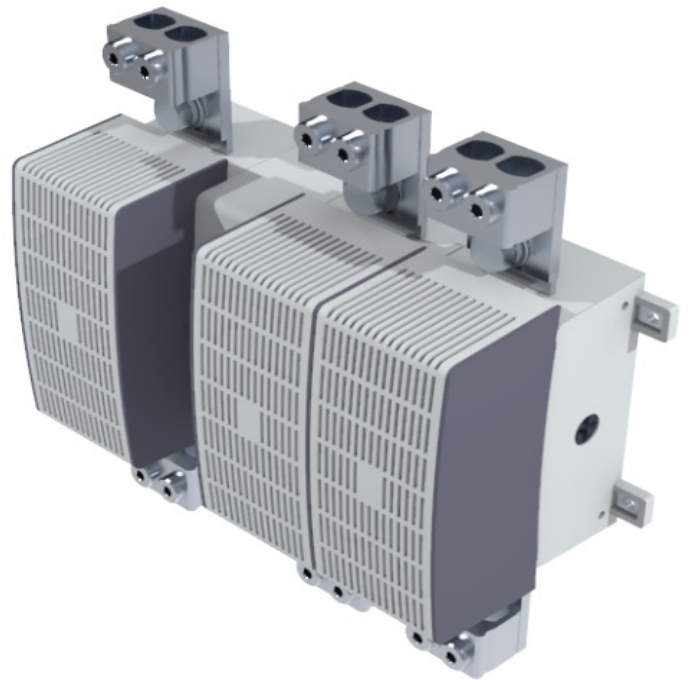


ALK3160 & VKA 3160 Switch



ALK4160 & VKA 4160 Switch

Switch	KUE		EVA		VKA
	16 - 40 (3-pole)	63 - 125 (3-pole)	125 - 160	200 - 250	200 - 250
16 mm²	KKL1X16 (only top)	KKL1X16 (only top)	-	-	-
50 mm²	KKL1X50M (only top)	KKL 1X50T2	KKL1X50T2	KKL2X50	KKL2X50
95 mm²	-	-	-	KKL1X95	KKL1X95
120 mm²	-	-	KKL1X120T1 + KKL1X120T2 + KKL1X120T3	KKL1X120RS	KKL1X120RS
150 mm²	-	-	-	-	-
240 mm²	-	-	-	-	-
300 mm²	-	-	-	-	-

**KUE 363 + 3 x KKL1X50T2****KVKE 3630 + 6 x KKL2X150**

Switch	KVKE			
A	63 - 160 (3-pole)	200 - 250 (3-pole)	315 - 400	630
16 mm ²	-	-	-	-
50 mm ²	KKL1X50T2	KKL2X50	KKL2X50	-
95 mm ²	-	KKL1X95, KKL2X95	KKL2X95	-
120 mm ²	KKL1X120T2	KKL1X120RS	-	-
150 mm ²	KKL1X150T2 + LS125	KKL1X150, KKL2X150LR, KLH2X150, KKL2X150VM, KKL2X150VB	KKL1X150, KKL2X150LR, KLH2X150, KKL2X150VM, KKL2X150VB	KKL2X150, KKL2X150VB, KKL2X150VM
240 mm ²	-	KKL1X240, KKL2X240LR, KLH2X240, KKL2X240VB, KKL2X240VM	KKL1X240, KKL2X240LR, KLH2X240, KKL2X240VB, KKL2X240VM	KKL2X240, KKL2X240VB, KKL2X240VM, KLH2X240
300 mm ²	-	-	-	KKL2X300, KKL2X300VB, KKL2X300VM, KLH2X300



ConnectSafe

KATKO Oy

www.katko.com
info@katko.com
+358 (0)9 849 600

Ruosilantie 2
00390, Helsinki, Finland