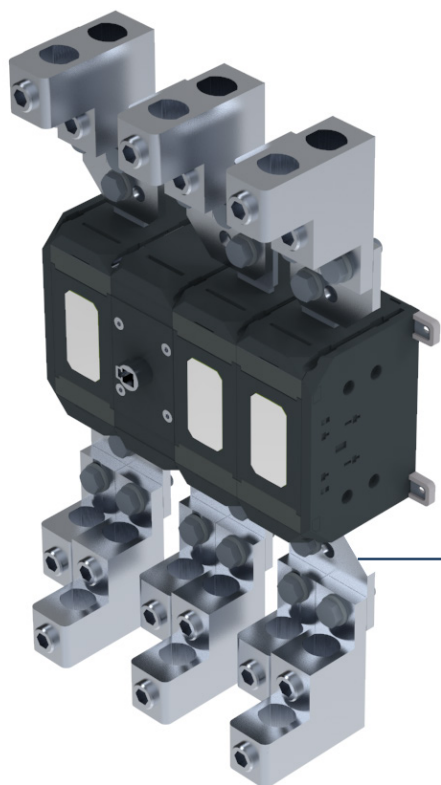


COMPATIBILITY TABLE KATKO SWITCHES AND CABLE CONNECTORS



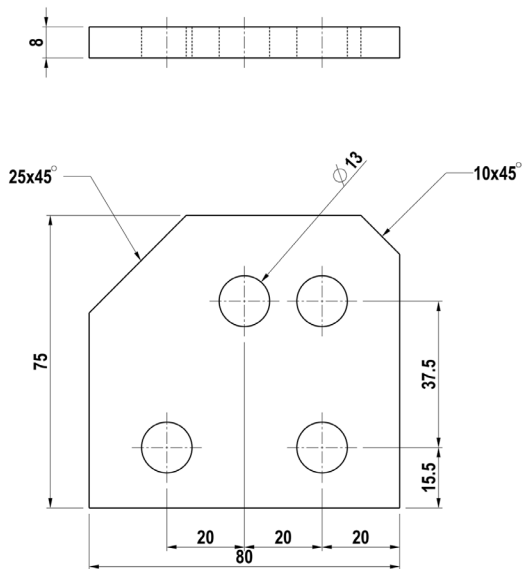
- Following tables show compatibility of KATKO switches and cable connectors and most common combinations
- With spreaders it is possible to mount different combinations of connectors and switches that are not shown in these tables. Ask your local sales person for more information.

SPREADER (ALK 800)

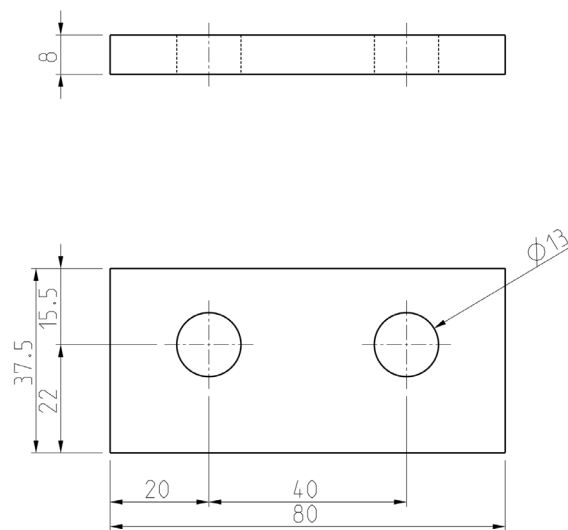
**KU 3800 + 3 x KKL2x300VB (TOP) + 3 x KKL1x300 (TOP) +
3 x KKL2x300VB (BOTTOM) + 3 x KKL1x300 (BOTTOM)**

Switch	KU					
	16 - 40	63 - 80 (3-pole)	100 - 160 (3-pole)	160L + 200 - 250	315 - 400	630 - 800 (3-pole)
16 mm²	KKL1x16 (only top)	KKL1x16 (only top)	-	-	-	-
50 mm²	KKL1x50M (only top)	KKL 1x50T2	KKL1x50T2	KKL2x50	-	-
95 mm²	-	-	-	KKL1x95	-	-
120 mm²	-	-	KKL1x120T	-	-	-
150 mm²	-	-	-	KKL1x150, KKL2x150VM	KKL1x150, KKL2x150VM	KKL2x150, KKL2x150VB, KKL2x150VM, KLH2x150
240 mm²	-	-	-	KKL2x150VB, KL- H2x150	KKL2x150VB, KLH2x150	KKL2x240, KKL2x240VB, KKL2x240VM, KLH2x240
300 mm²	-	-	-	-	-	KKL2x300, KKL2x300VB, KKL2x300VM, KLH2x300

COMPATIBILITY TABLE & DIMENSIONAL DRAWINGS OF SPREADERS



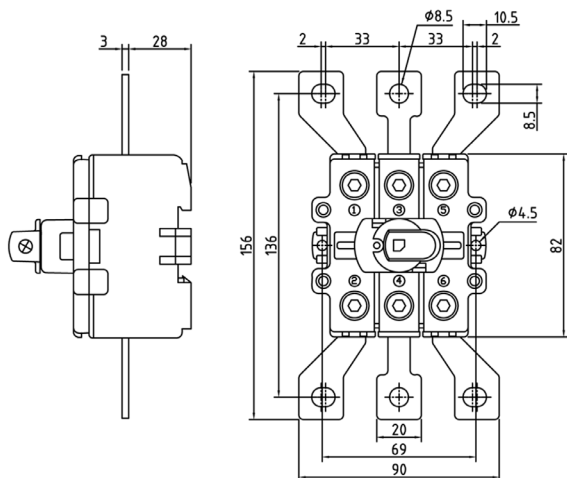
ALK 800



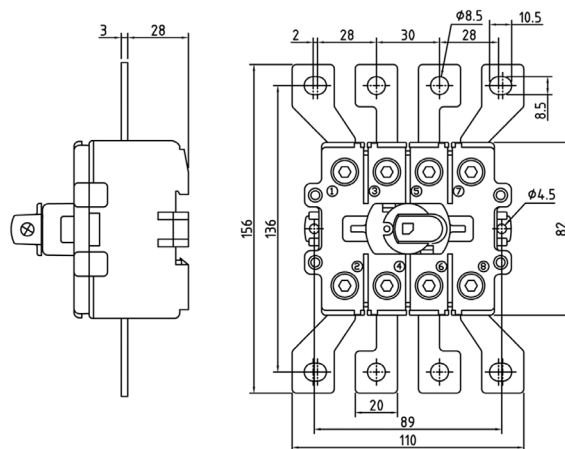
ALK 800C

Switch	VKE			
	125 - 160	200 - 250	315 - 400	630
A	125 - 160	200 - 250	315 - 400	630
16 mm²	-	-	-	-
50 mm²	KKL1x50T2	KKL2x50	KKL2x50	-
95 mm²	-	KKL1x95, KKL2x95	KKL2x95	-
120 mm²	KKL1x120T2	KKL1x120RS	-	-
150 mm²	KKL1x150T2 + LS125	KKL1x150, KKL2x150LR, KLH2x150, KKL2x150VM, KKL2x150VB	KKL1x150, KKL2x150LR, KLH2x150, KKL2x150VM, KKL2x150VB	KKL2x150, KKL2x150VB, KKL2x150VM, KLH2x150
240 mm²	-	KKL1x240, KKL2x240LR, KLH2x240, KKL2x240VB, KKL2x240VM	KKL1x240, KKL2x240LR, KLH2x240, KKL2x240VB, KKL2x240VM	KKL2x240, KKL2x240VB, KKL2x240VM, KLH2x240
300 mm²	-	-	-	KKL2x300, KKL2x300VB, KKL2x300VM, KLH2x300

COMPATIBILITY TABLE & DIMENSIONAL DRAWINGS OF SPREADERS

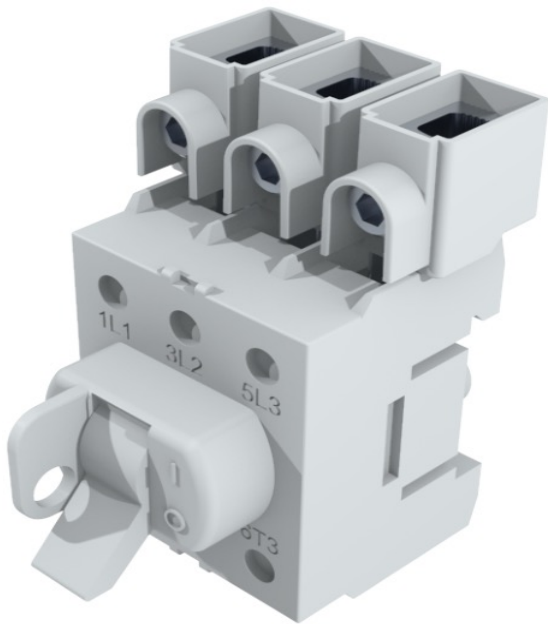
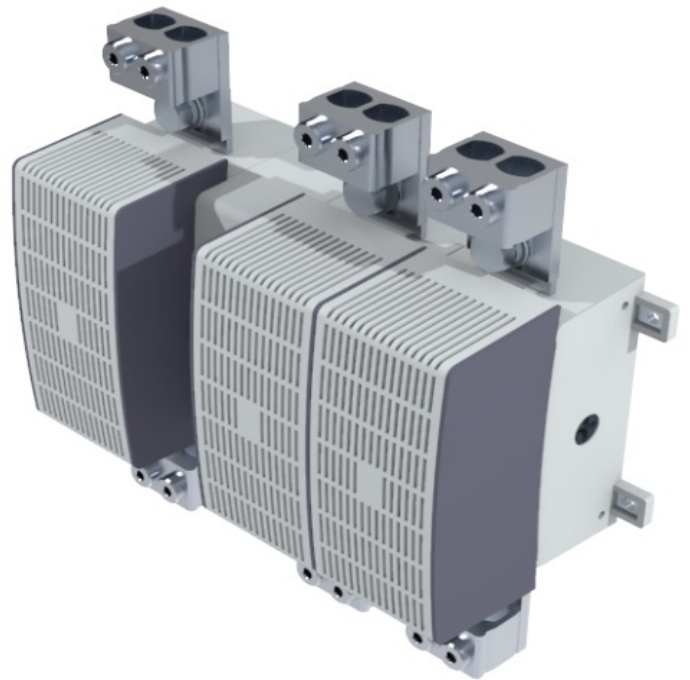


ALK 3160 & VKA 3160 Switch



ALK 4160 & VKA 4160 Switch

Switch	KUE		EVA		VKA	
	A	16 - 40 (3-pole)	63 - 125 (3-pole)	125 - 160		200 - 250
16 mm²		KKL1x16 (only top)	KKL1x16 (only top)	-	-	-
50 mm²		KKL1x50M (only top)	KKL 1x50T2	KKL1x50T2	KKL2x50	KKL2x50
95 mm²		-	-	-	KKL1x95	KKL1x95
120 mm²		-	-	KKL1x120T1 + KKL1x120T2 + KKL1x120T3	KKL1x120RS	KKL1x120RS
150 mm²		-	-	-	-	-
240 mm²		-	-	-	-	-
300 mm²		-	-	-	-	-

**KUE 363 + 3 x KKL1x50T2****KVKE 3630 + 6 x KKL2x150**

Switch	KVKE			
A	63 - 160 (3-pole)	200 - 250 (3-pole)	315 - 400	630
16 mm ²	-	-	-	-
50 mm ²	KKL1x50T2	KKL2x50	KKL2x50	-
95 mm ²	-	KKL1x95, KKL2x95	KKL2x95	-
120 mm ²	KKL1x120T2	KKL1x120RS	-	-
150 mm ²	KKL1x150T2 + LS125	KKL1x150, KKL2x150LR, KLH2x150, KKL2x150VM, KKL2x150VB	KKL1x150, KKL2x150LR, KLH2x150, KKL2x150VM, KKL2x150VB	KKL2x150, KKL2x150VB, KKL2x150VM
240 mm ²	-	KKL1x240, KKL2x240LR, KLH2x240, KKL2x240VB, KKL2x240VM	KKL1x240, KKL2x240LR, KLH2x240, KKL2x240VB, KKL2x240VM	KKL2x240, KKL2x240VB, KKL2x240VM, KLH2x240
300 mm ²	-	-	-	KKL2x300, KKL2x300VB, KKL2x300VM, KLH2x300