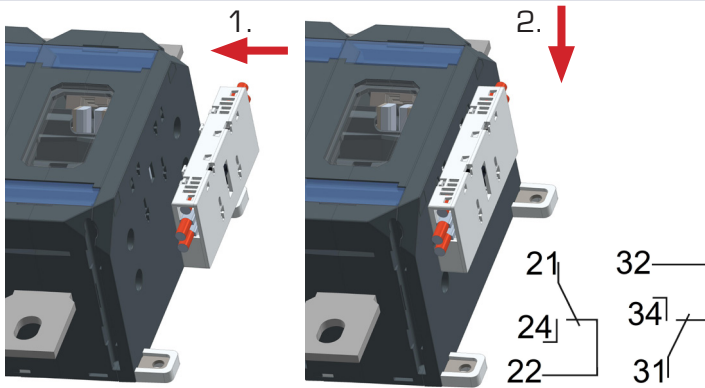
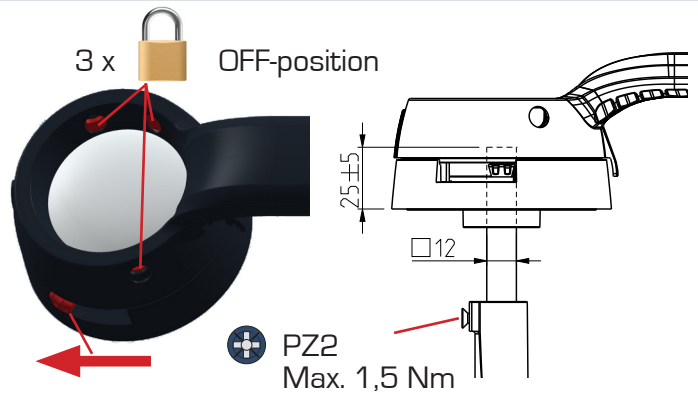


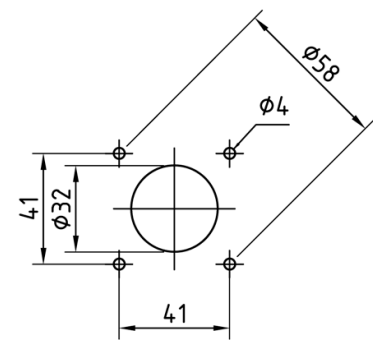
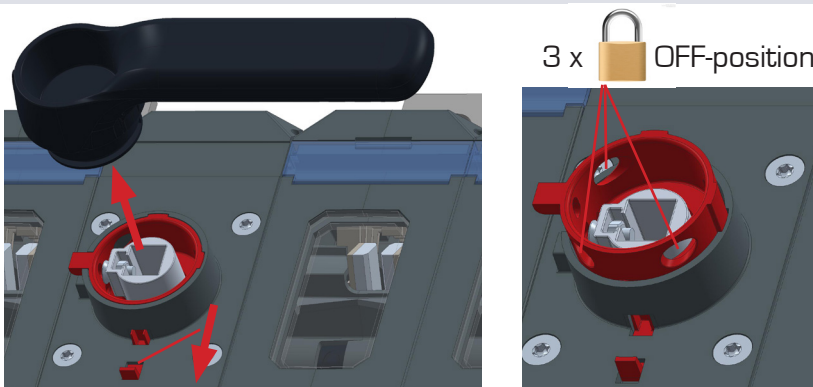
### Auxiliary contact:



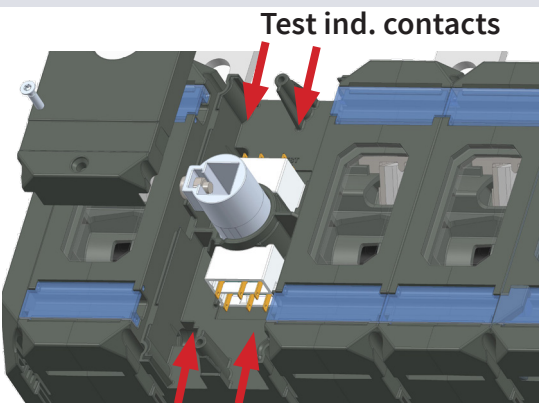
### Handle:



### Direct handle:

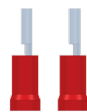
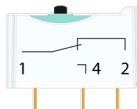


### Test:



Test ind. contacts

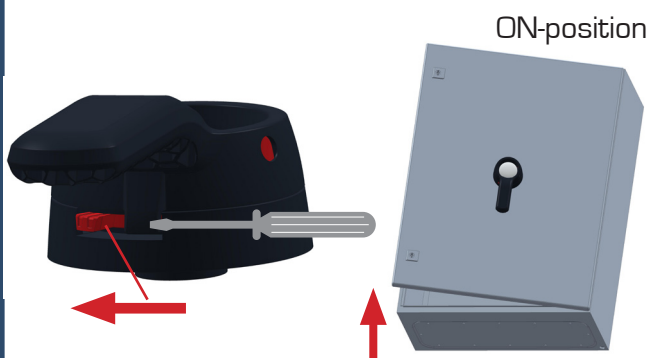
4 x T8   
4 x microswitch



Test contacts

	TEST	OFF 0	ON I	
Main contact	.....	.....	.....	Closed Open
Test contact (NO)	.....	.....	.....	Closed Open
Test contact (NC)	.....	.....	.....	Closed Open
Test ind. contact (NO)	.....	.....	.....	Closed Open
Test ind. contact (NC)	.....	.....	.....	Closed Open

### Defeat, ON-position:



Bolt size M10  
30-44 Nm

